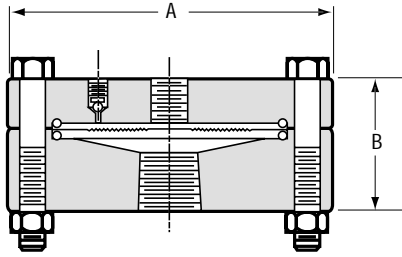


DIMENSIONAL DRAWINGS

Type 10 Standard Pressure Diaphragm Seal

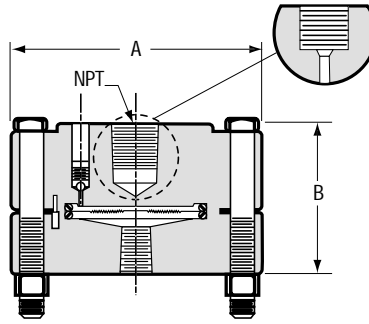


Dimensional Data
Process Connection Size

1/4"		3/8"-1"		1 1/4"-1 1/2"	
A	B	A	B	A	B
4.0 (102)	1.19 (30)	4.0 (102)	1.63 (41)	4.0 (102)	1.88 (48)

() Dimensions in millimeters

Type 10H Elevated Pressure Diaphragm Seal

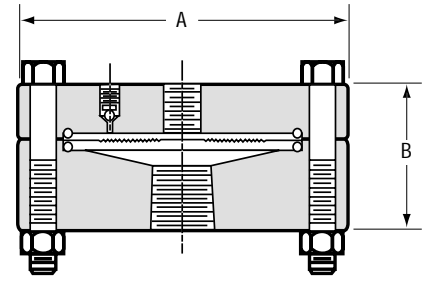


Dimensional Data
Process Connection Size

Pressure Rating	1/4"		3/8" - 1 1/2"	
	A	B	A	B
5000	4.0 (102)	2.13 (54)	4.0 (102)	2.13 (54)
10000	4.0 (107)	2.13 (54)	4.0 (102)	2.13 (54)
20000	5.0 (127)	2.69 (68)	-	-

() Dimensions in millimeters

Type 10L Reduced Pressure Diaphragm Seal

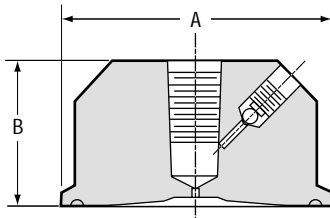


Dimensional Data
Process Connection Size

Material	1/4" - 1 1/2"	
	A	B
Teflon Virgin Teflon Glass Teflon Carbon	4.0 (102)	1.75 (44)
PVC Kynar Poly Propylene	4.0 (102)	1.63 (41)

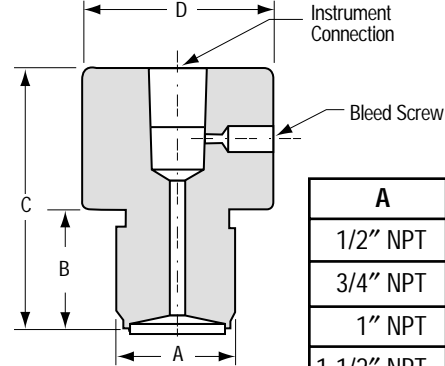
() Dimensions in millimeters

Type 12 Ladish Tri-Clamp Sanitary Seal



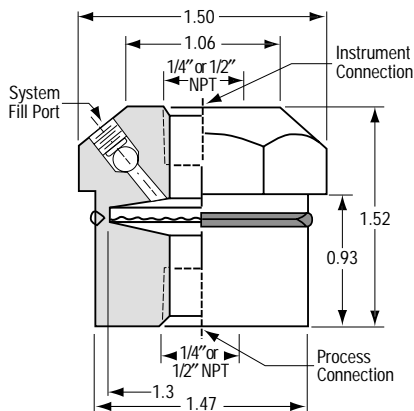
Nominal pipe size	1.5	2	3
Diaphragm Diameter Inches	1.4	1.9	2.4
A	1.989	2.521	3.581
B	1.25	1.25	1.25

Type 20 Front Flush Style Diaphragm Seal

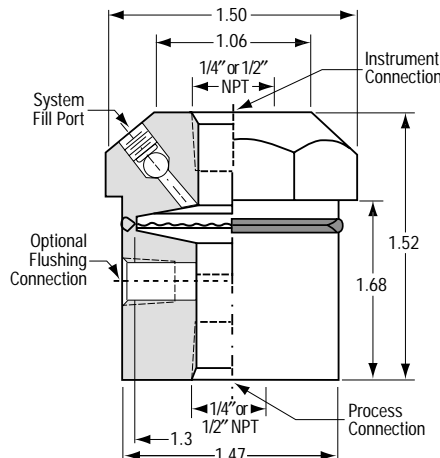


A	B	C	D
1/2" NPT	0.8	1.9	1.50
3/4" NPT	0.8	1.8	1.63
1" NPT	1.1	2.5	1.75
1 1/2" NPT	1.2	2.0	2.00
2" NPT	1.2	2.4	2.63

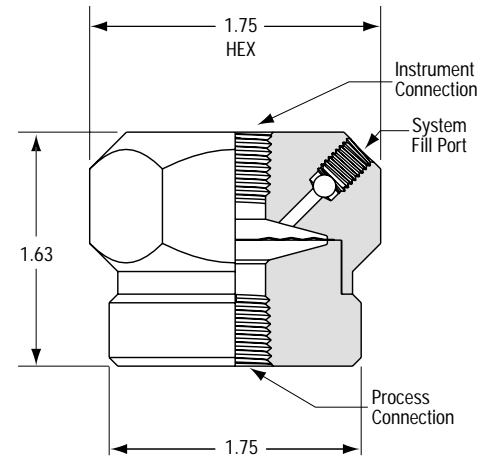
Type 25 All Welded Standard Pressure Diaphragm Seal



Type 25 All Welded Standard Pressure Diaphragm Seal with Flushing Port

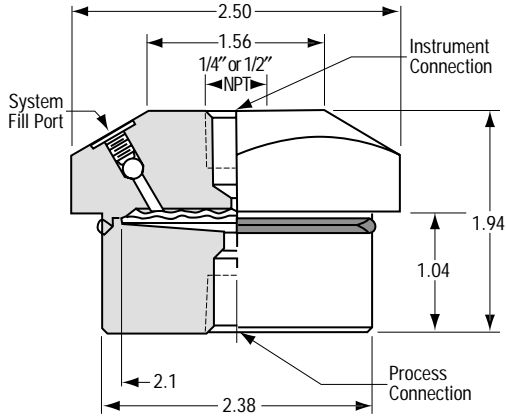


Type 25H All Welded Elevated Pressure Diaphragm Seal

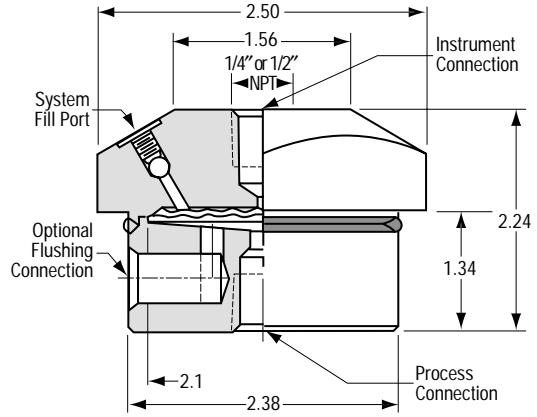


DIMENSIONAL DRAWINGS

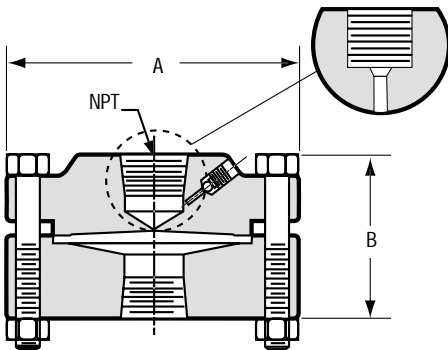
Type 29 High Displacement, All Welded Diaphragm Seal



Type 29 High Displacement, All Welded Diaphragm Seal with Flushing Connection



Type 30 Standard Pressure Diaphragm Seal

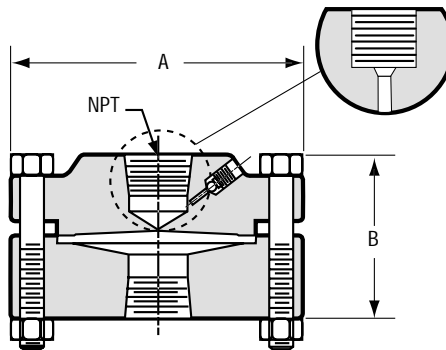


**Dimensional Data
Process Connection Size**

	1/8" - 1/4"	3/8"-1"	1 1/4"-1 1/2"
A	3.5 (89)	3.5 (89)	3.5 (89)
B	1.56 (40)	2.00 (51)	2.00 (51)

() Dimensions in millimeters

Type 30H Standard Pressure Diaphragm Seal

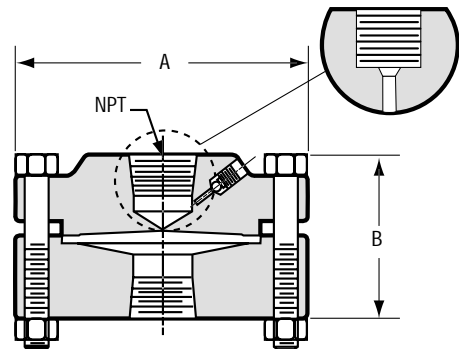


**Dimensional Data
Process Connection Size**

Pressure Rating	1/8"-1/4"		3/8"-1/2"	
	A	B	A	B
5000	4.0 (102)	2.25 (57)	4.0 (102)	2.25 (57)
10000	4.0 (102)	2.31 (59)	4.0 (102)	2.31 (59)
20000	5.0 (127)	2.25 (57)	5.0 (127)	2.25 (57)

() Dimensions in millimeters

Type 30L Standard Pressure Diaphragm Seal



**Dimensional Data
Process Connection Size**

PVC-Kynar-Polypropylene			
	1/8" - 1/4"	3/8"-1"	1 1/4"-1 1/2"
A	4.0 (102)	4.0 (102)	4.0 (102)
B	2.00 (51)	2.00 (51)	2.00 (51)
Teflon-Glass/Carbon			
A	4.0 (102)	4.0 (102)	4.0 (102)
B	2.00 (51)	2.00 (51)	2.00 (51)

() Dimensions in millimeters