

SERIES 600

SmartSwitch



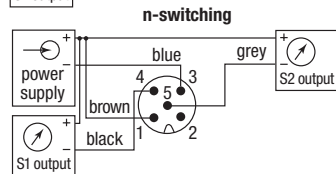
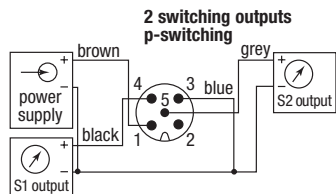
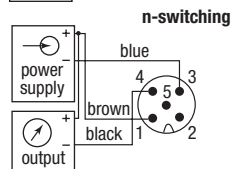
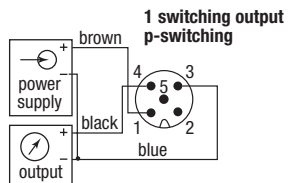
Connection table for 5 PIN M12x1 connector

Function	Connector M12x1
Power supply: +	1 Brown
Power supply: -	3 Blue
Switching output: S1	4 Black
Switching output: S2	2 White

Series 600 Smart Switch switching points are normally set by NOSHOK per customer requirement. A programming module (hardware) and software is available from NOSHOK to allow setting or changing switch points by the customer.

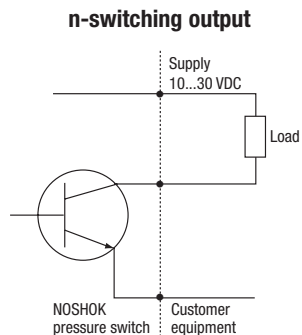
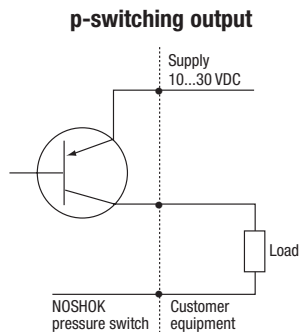
SERIES 600

SmartSwitch



SWITCHING OUTPUT SCHEMATIC

SERIES **500** *Mag Switch* & SERIES **600** *Smart Switch*

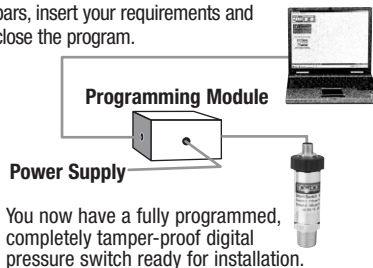


SmartSwitch

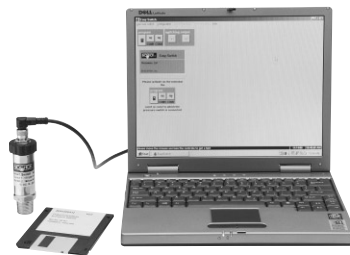
PROGRAM MODULE

INSTRUCTIONS

1. With the PC off, connect the RS232 programming cable to both the PC and the programming module.
2. Connect the programming module to a 12-30 VDC power supply in accordance with the catalog wiring diagram and connect the module to the Smart Switch 5 pin M12x1 connection.
3. Turn on the PC, insert the software diskette and follow the prompts on the screen.
4. To adjust the switch function(s), set point(s) and hysteresis simply click on the appropriate tool bars, insert your requirements and close the program.



You now have a fully programmed, completely tamper-proof digital pressure switch ready for installation.



NOSHOK

PRESSURE SWITCHES

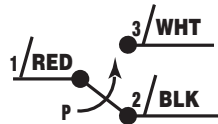
The Instrumentation Company
NOSHOK
 INCORPORATED

CORPORATE HEADQUARTERS
 1010 West Bagley Road • Berea, Ohio 44017
 440-243-0888 • FAX 440-243-3472
 E-MAIL: noshok@noshok.com • WEB: www.noshok.com

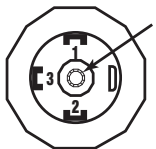
SERIES 300

Mechanical Pressure Switch

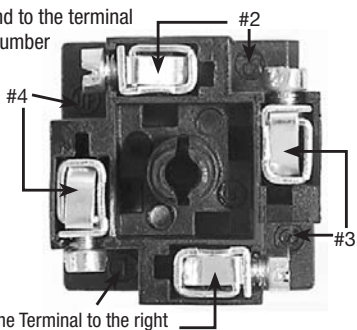
SWITCHING OUTPUT SCHEMATIC



WIRING DIAGRAMS AND ELECTRICAL CONNECTIONS



Set screw adjustment for adjusting set points is accomplished using a 2mm allen wrench

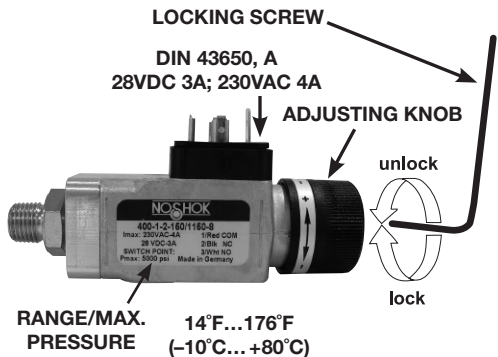


Numbers correspond to the terminal to the right of the number

#1 corresponds to the Terminal to the right

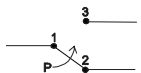
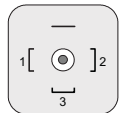
SERIES 400

Heavy Duty Mechanical Pressure Switch

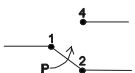
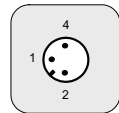


Electrical Connection

Hirschmann
DIN 43650 A



M12x1 (4-Pin)



SERIES 500

Mag Switch

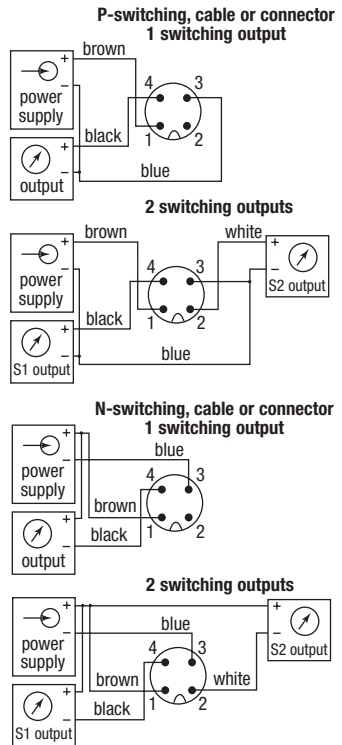


Connection table for 4 PIN M12x1 connector

Function	Connector M12x1
Power supply: +	1 Brown
Power supply: -	2 Blue
Switching output: S1	4 Black
Switching output: S2	2 White

SERIES 500

Mag Switch



SWITCHING OUTPUT SCHEMATIC SERIES 500 & 600 Mag Switch & Smart Switch

