

# SERIES 600

## SmartSwitch



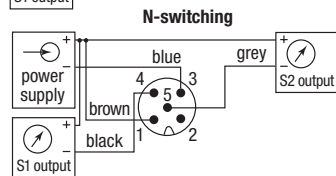
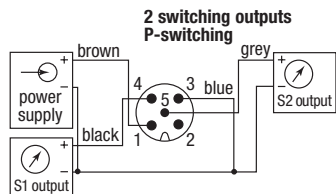
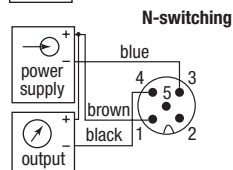
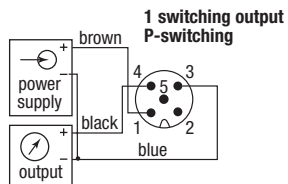
Connection table for 5 PIN M12x1 connector

Function	Connector M12x1
Power supply: +	1 Brown
Power supply: -	3 Blue
Switching output: S1	4 Black
Switching output: S2	5 Grey

Series 600 Smart Switch switching points are normally set by NOSHOK per customer requirement. A programming module (hardware) and software is available from NOSHOK to allow setting or changing switch points by the customer.

# SERIES 600

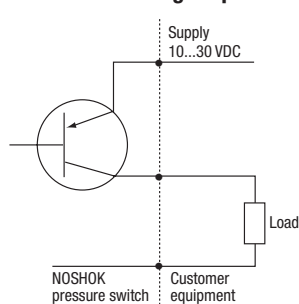
## SmartSwitch



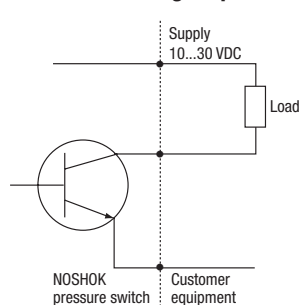
## SWITCHING OUTPUT SCHEMATIC

SERIES 500 & 600  
Mag Switch Smart Switch

### P-switching output



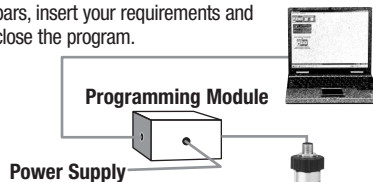
### N-switching output



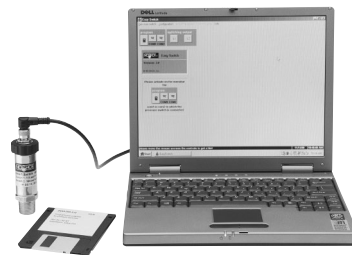
## SmartSwitch PROGRAM MODULE

### INSTRUCTIONS

1. With the PC off, connect the RS232 programming cable to both the PC and the programming module.
2. Connect the programming module to a 12-30 VDC power supply in accordance with the catalog wiring diagram and connect the module to the Smart Switch 5 pin M12x1 connection.
3. Turn on the PC, insert the software diskette and follow the prompts on the screen.
4. To adjust the switch function(s), set point(s) and hysteresis simply click on the appropriate tool bars, insert your requirements and close the program.



You now have a fully programmed, completely tamper-proof digital pressure switch ready for installation.



# NOSHOK PRESSURE SWITCHES

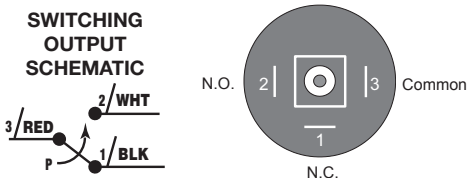
The Instrumentation Company  
**NOSHOK** INCORPORATED

### CORPORATE HEADQUARTERS

1010 West Bagley Road • Berea, Ohio 44017  
440-243-0888 • FAX 440-243-3472  
E-MAIL: noshok@noshok.com • WEB: www.noshok.com

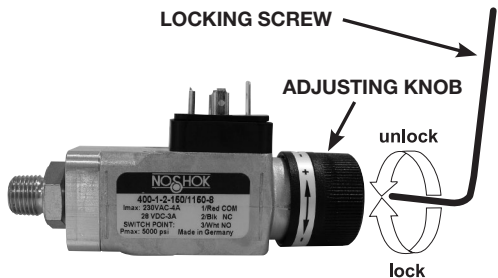
# SERIES 200

## Mechanical Switch



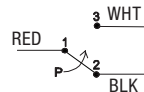
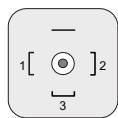
# SERIES 400

## Heavy Duty Mechanical Pressure Switch

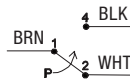
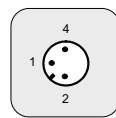


### Electrical Connection

Hirschmann  
DIN EN 175301-803  
Form A



M12x1 (4-Pin)



# SERIES 500

## Mag Switch

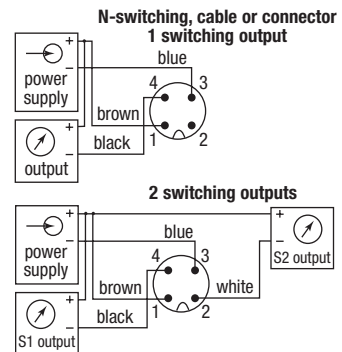
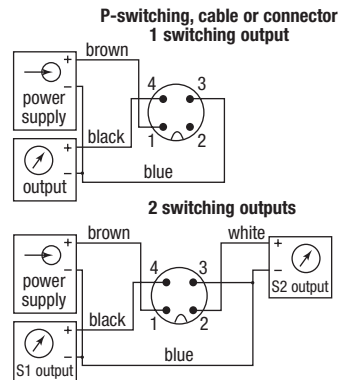


### Connection table for 4 PIN M12x1 connector

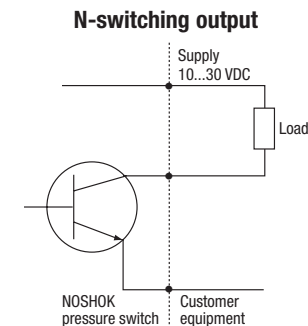
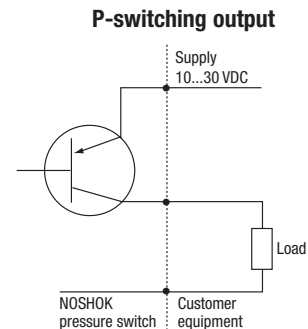
Function	Connector M12x1
Power supply: +	1 Brown
Power supply: -	3 Blue
Switching output: S1	4 Black
Switching output: S2	2 White

# SERIES 500

## Mag Switch

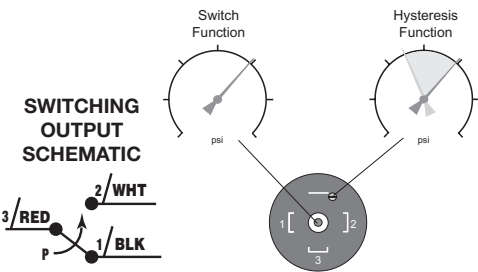


# SWITCHING OUTPUT SCHEMATIC SERIES 500 & 600 Mag Switch Smart Switch



# SERIES 300

## Mechanical Switch



300 Series Switch Note: Rotating the Hysteresis adjustment, completely clockwise or counter-clockwise will disengage the switch function.