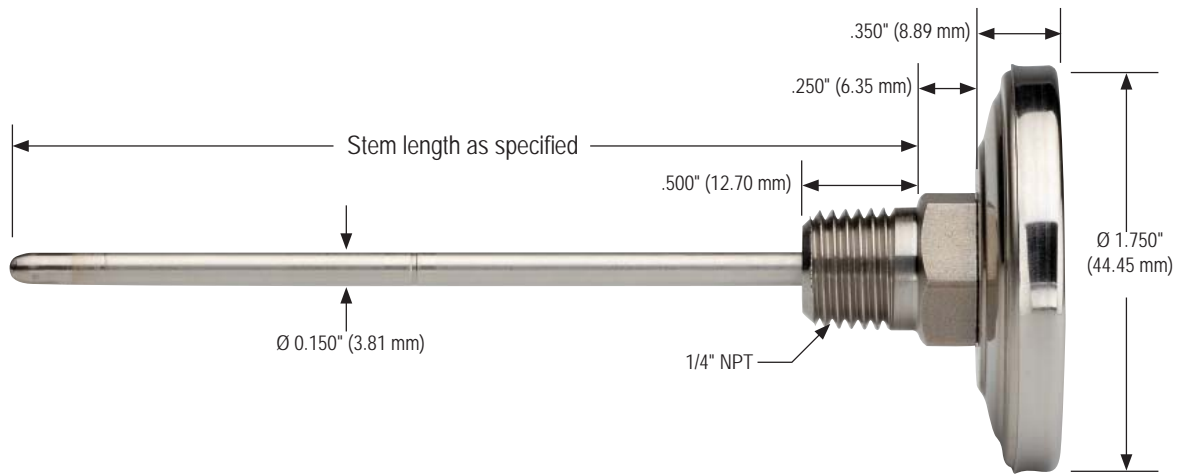
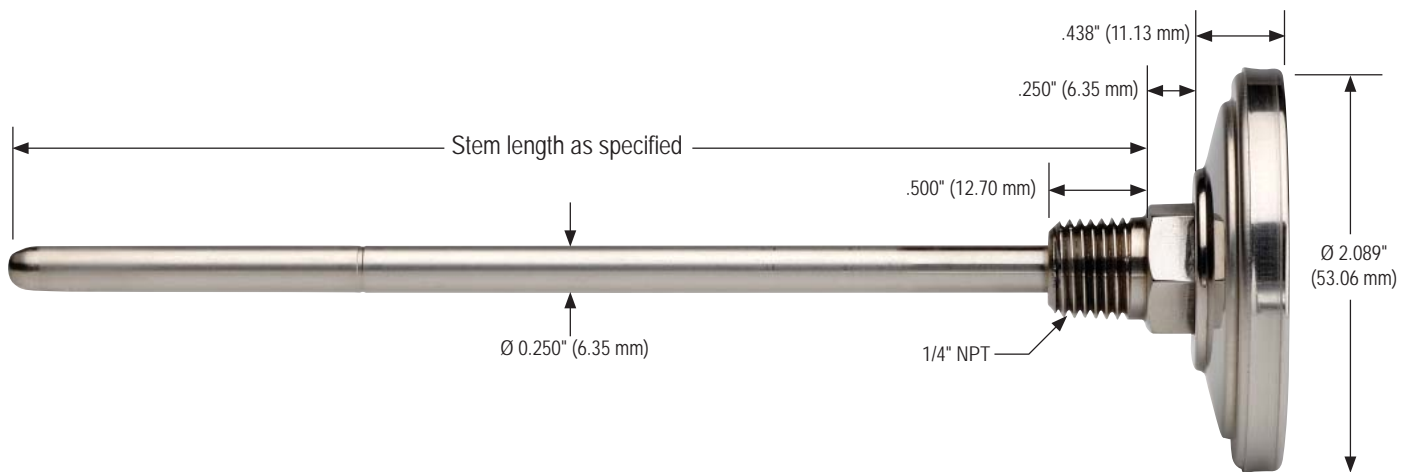


# Dimensions

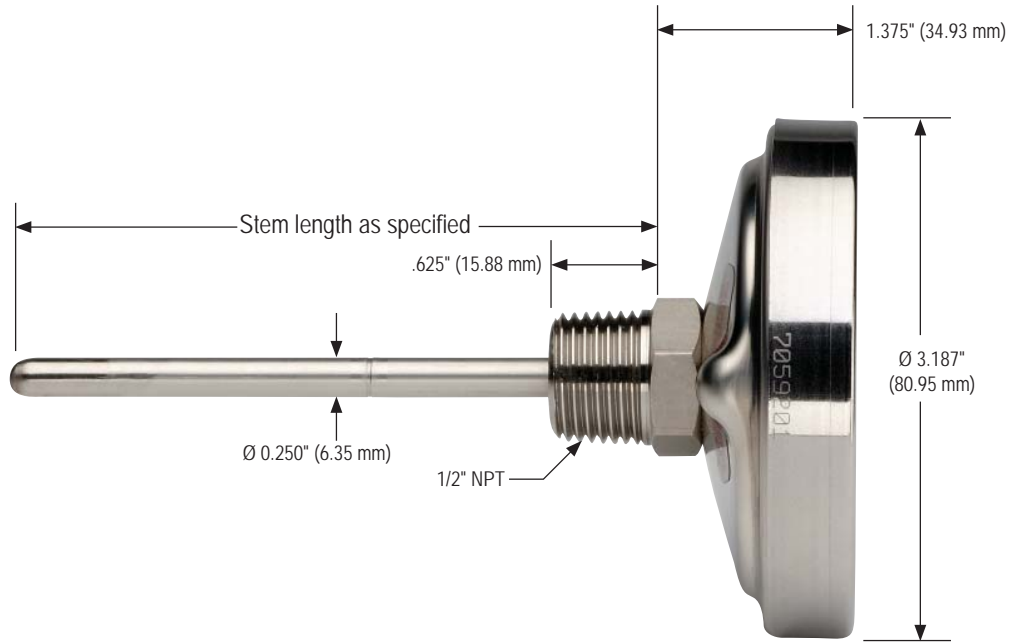
## 18-110



## 20-110



30-110



50-110

