

612 SERIES

- Ranges from 0 inH₂O to 50 inH₂O through 0 psig to 1,000 psig
- Current and voltage outputs available
- 316 Stainless Steel, polyamide and polyurethane wetted parts
- CE compliant to suppress RFI, EMI and ESD



APPLICATIONS

- Irrigation
- Tank monitoring
- Water & wastewater
- Well head measurement

SPECIFICATIONS

Output signals	4 mA to 20 mA, 2-wire; 0 Vdc to 5 Vdc and 0 Vdc to 10 Vdc, 3-wire; 0.5 Vdc to 2.5 Vdc, 3-wire
Pressure ranges	0 inH ₂ O to 50 inH ₂ O through 0 psig to 1,000 psig
Accuracy	± 0.25% full scale (BFSL); optional ± 0.125% full scale (BFSL); (includes the effects of non-linearity, hysteresis, non-repeatability, zero point and full scale errors)
Stability	≤ ± 0.2% full scale for 1 year, non-accumulating
Response time	≤ 1 ms (between 10% and 90% full scale)
Service life	> 100,000,000 load cycles
Temperature ranges	Compensated 32 °F to 122 °F/0 °C to 50 °C Effect ± 0.01%/ °F for zero and span Media 14 °F to 122 °F / -10 °C to 50 °C Storage -22 °F to 175 °F/-30 °C to 80 °C
Power requirement*	10 Vdc to 30 Vdc (4 mA to 20 mA, 2-wire, 0 Vdc to 5 Vdc, 3-wire) 5 Vdc to 30 Vdc (0.5 Vdc to 2.5 Vdc, 3-wire) 14 Vdc to 30 Vdc (0 Vdc to 10 Vdc, 3-wire)
Load limitations	≤ (VPower-10)/0.020 Amp for 4 mA to 20 mA ≥ 10,000 Ω for 0 Vdc to 10 Vdc, 3-wire ≥ 5,000 Ω for 0 Vdc to 5 Vdc, 3-wire
Proof pressure	2 times range
Burst pressure	4 times range
Measuring element	Cap: Polyamide, 316 Stainless Steel with weighted nosecone Cable: Polyurethane, optional FEP or PVC with double water block
Connection	316 Stainless Steel
Housing material	316 Stainless Steel
Environmental rating	IP68
Electromagnetic rating	CE compliant to EMC norm EN 61326:1997/A1:1998 RFI, EMI and ESD protection
Electrical protection	Reverse polarity protection, short circuit and optional lightning protection per EN 6100-4-5; 1.5J
Shock	100 g's according to IEC 60068-2-27
Vibration	15 g's according to IEC 60068-2-6
Weight	Approximately 7 oz. with standard nosecone - cable extra

* Unregulated

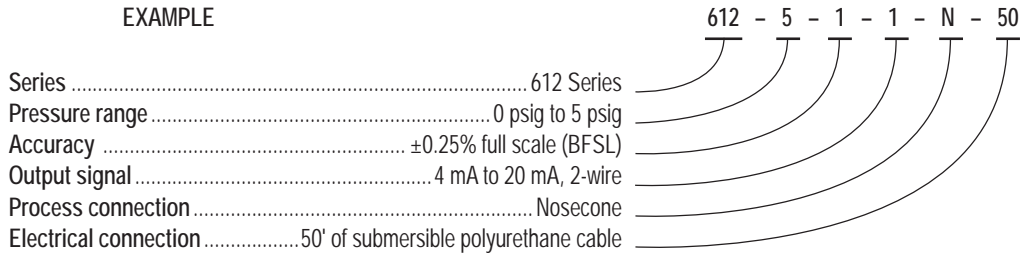


ORDERING INFORMATION					
SERIES	612				
PRESSURE RANGES	50 inH ₂ O 0 inH ₂ O to 50 inH ₂ O	2 0 psig to 2 psig (4.6 ftH ₂ O)	20 0 psig to 20 psig (46.2 ftH ₂ O)	200 0 psig to 200 psig (461.3 ftH ₂ O)	
	100 inH ₂ O 0 inH ₂ O to 100 inH ₂ O	3 0 psig to 3 psig (6.9 ftH ₂ O)	25 0 psig to 25 psig (57.7 ftH ₂ O)	300 0 psig to 300 psig (692.5 ftH ₂ O)	
	150 inH ₂ O 0 inH ₂ O to 150 inH ₂ O	5 0 psig to 5 psig (11.5 ftH ₂ O)	30 0 psig to 30 psig (69.2 ftH ₂ O)	350 0 psig to 350 psig (807.9 ftH ₂ O)	
	200 inH ₂ O 0 inH ₂ O to 200 inH ₂ O	10 0 psig to 10 psig (23.1 ftH ₂ O)	60 0 psig to 60 psig (138.5 ftH ₂ O)	500 0 psig to 500 psig (1154.2 ftH ₂ O)	
	400 inH ₂ O 0 inH ₂ O to 400 inH ₂ O	15 0 psig to 15 psig (34.6 ftH ₂ O)	100 0 psig to 100 psig (230.8 ftH ₂ O)	750 0 psig to 750 psig (1733.3 ftH ₂ O)	
	psig = gauge pressure Other ranges available on request		150 0 psig to 150 psig (346.3 ftH ₂ O)	1000 0 psig to 1,000 psig (2311.0 ftH ₂ O)	
ACCURACIES	1 ±0.25% full scale (BFSL)		2 ±0.125% full scale (BFSL)		
OUTPUT SIGNALS	1 4 mA to 20 mA, 2-wire		5 0 Vdc to 10 Vdc, 3-wire		
	2 0 Vdc to 5 Vdc, 3-wire		11 0.5 Vdc to 2.5 Vdc, 3-wire		
PROCESS CONNECTIONS	N Nosecone		W Nosecone w/added weight (1.1 lb.)		
	T G 1/2 B x 1/2" NPT male with 1/4" NPT female				
ELECTRICAL CONNECTIONS	XX Standard polyurethane (PUR) cable		38-XX Optional FEP cable		
	22-XX Optional water-blocked PVC cable (200+ psi only)				
	NOTE: XX = length of cable in feet.				
OPTIONS	PT1 PT100 RTD *	CBC Cable Clamp	FE Filter Element		
	DC Desiccant Cartridge	LP Lightning Protection *	JB Cable Junction Box		

Please consult your local NOSHOK Distributor or NOSHOK, Inc. for availability and delivery information.

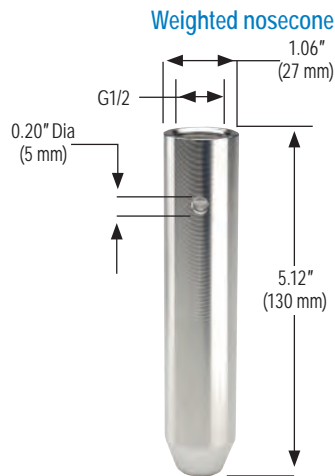
* Not available for PVC cable

EXAMPLE



2-WIRE WIRING

Wiring	Cable
+ Supply	Red
+ Output	Black



3-WIRE WIRING

Wiring	Cable
+ Supply	Red
Common	Black
+ Output	White

