

ABS & Steel Case, Dry



100 SERIES

- General purpose non-fillable dry gauge
- Vacuum and compound ranges through 0 psi to 15,000 psi
- 1-1/2", 2", 2-1/2" and 4" gauge sizes
- Standard impact-resistant ABS & Steel case
- Copper alloy and Brass wetted parts

OPERATING SPECIFICATIONS

1. Working Pressure Limitations

a. Dynamic Pressure

The working pressure should be limited to 60% of the dial range.

b. Static Pressure

The working pressure, where no sharp fluctuations occur, should be limited to 90% of the dial range

APPLICATIONS

- Hydraulics & pneumatics
- Medical
- Pumps & compressors
- Refrigeration controls
- Utilities
- Water management

	SERIES	SPECIFICATIONS
Pressure ranges	100 Series (all)	Vacuum and compound ranges through 0 psi to 15,000 psi
Accuracy	15-100, 15-110, 15-120, 20-100, 20-110, 20-120, 20-148, 25-100, 25-110, 25-120	±2.5% full scale
	40-100	±1.6% full scale
Temperature ranges*	100 Series (all)	Media -4 °F to 140 °F (-20 °C to 60 °C) Ambient -40 °F to 140 °F (-40 °C to 60 °C)
Measuring element	100 Series (all)	Copper alloy Bourdon tube
Connection	15-100, 15-110, 15-120, 20-100, 20-110	1/8" NPT, Brass
	20-148	1/8" NPT/10-32 Female, Brass
	20-100, 20-110, 20-120, 25-100, 25-110, 25-120, 40-100	1/4" NPT Brass SAE J1926-3:7/16-20
Case	15-100, 15-110, 20-100, 20-110, 20-148, 25-100, 40-100	ABS (Acryl Nitril Butadien Styrol)
	15-120, 20-120, 25-120	Black painted Steel with chrome triangular bezel and U-clamp
Bezel	15-110, 20-110, 25-110	Built-in bezel, molded as an integral part of the case for ease of panel mounting.
	15-120, 20-120, 25-120	Chrome-plated Steel triangular bezel
Lens	100 Series (all)	Acrylic
Pointer	100 Series (all)	Molded plastic
Dial	100 Series (all)	White background with black primary scale & red secondary scale. UV resistant.
Movement	100 Series (all)	Brass & nylon, or all-Brass with highly polished bearing surfaces

* For every 18 °F (10 °C) shift in temperature from which the gauge is calibrated, the user can experience up to ±0.4% additional error.

For details on accuracy/standard dial configuration and dial layouts, see pages 56-61.



WARNING: This product can expose you to chemicals including Lead, which is known to the State of California to cause cancer and birth defects or other reproductive harm. For more information go to www.P65Warnings.ca.gov

ORDERING INFORMATION								
GAUGE SIZES	15	1-1/2"	20	2"	25	2-1/2"	40	4"
CASE TYPES	100	ABS, bottom connection	120	Steel case panel mount	148	Square ABS, panel mount (2" only)		
PRESSURE RANGES	30vac	-30 inHg vacuum to 0 psi	30/300	-30 inHg to 0 to 300 psi	200	0 psi to 200 psi	2000	0 psi to 2,000 psi
	30/15	-30 inHg to 0 to 15 psi	15	0 psi to 15 psi	300	0 psi to 300 psi	3000	0 psi to 3,000 psi
	30/30	-30 inHg to 0 to 30 psi	30	0 psi to 30 psi	400	0 psi to 400 psi	5000	0 psi to 5,000 psi
	30/60	-30 inHg to 0 to 60 psi	60	0 psi to 60 psi	600	0 psi to 600 psi	6000	0 psi to 6,000 psi
	30/100	-30 inHg to 0 to 100 psi	100	0 psi to 100 psi	1000	0 psi to 1,000 psi	10000	0 psi to 10,000 psi
	30/160	-30 inHg to 0 to 160 psi	160	0 psi to 160 psi	1500	0 psi to 1,500 psi	15000	0 psi to 15,000 psi
	30/200	-30 inHg to 0 to 200 psi						
	Other ranges available on request							
SCALE OPTIONS***	psi	psi single scale	psi/kPa	psi/kPa dual scale	psi/kg/cm²	psi/kg/cm ² dual scale	psi/bar	psi/bar dual scale
CONNECTION SIZES	1/8	1/8" NPT	SST	SAE J1926-3:7/16-20 Adjustable	1/4	1/4" NPT		
OPTIONS	PMC	Panel Mount Clamp	SSC	Stainless Steel Case	LL	Polycarbonate Lens	ST	Stainless Steel Tagging
	SSB	Polished Stainless Steel Bezel	CRC	Chrome Case	GL	Glass Lens*	CPO	Brass Sintered Orifice 20 Micron
	BLRF	Black Rear Flange	FAC	Flat Sided ABS Case	SG	Safety Glass Lens*	BP1	Brass Press Fit Orifice 0.1 mm
	BLFF	Black Front Flange – ABS Case	BCR	Black Cover Ring**	HL	Homalite Lens*	BP3	Brass Press Fit Orifice 0.3 mm
	CFF	Chrome Front Flange – ABS Case	SSCR	Stainless Steel Cover Ring**	SP	Red Set Pointer**	BP8	Brass Press Fit Orifice 0.8 mm
	SBFF	Black Front Flange – Steel Case	CCR	Chrome Cover Ring**	MIP	Maximum Indicating Pointer		
	SCFF	Chrome Front Flange – Steel Case	PCCR	Polished Chrome Cover Ring**	SDM	Silicone Dampened Movement		
	BSC	Black Steel Case	CAR	Chrome Adapter Ring*	LM	Laser Marking		

Please consult your local NOSHOK Distributor or NOSHOK, Inc. for availability and delivery information.

NOTES: Refer to 100 Series options & accessories chart on page 50 for availability by part number.

Cleaning for Oxygen Service (O2) is available only for dry or HL filled gauges

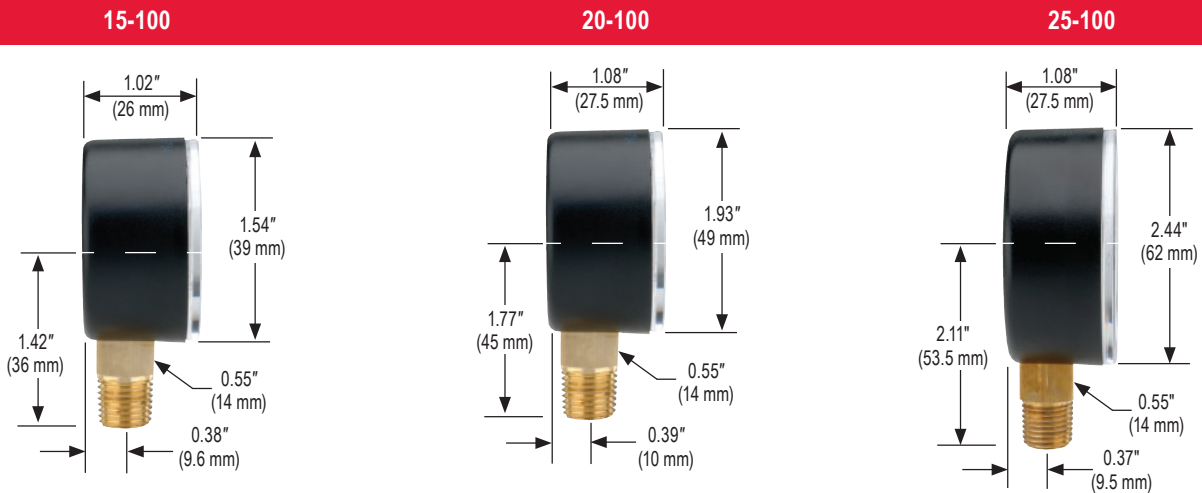
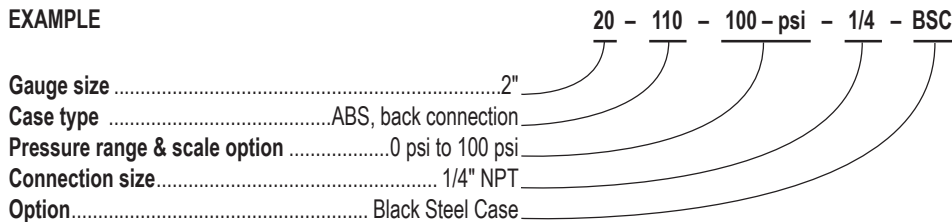
* A Steel, Stainless or chrome case & cover ring must be additionally ordered when lenses other than acrylic are utilized on all 100 Series.

** Only 110 Series require a Steel, Stainless or chrome case & cover ring to be additionally ordered when utilizing a set pointer or cover ring.

Please consult factory when a set pointer is to be utilized on a 120 Series.

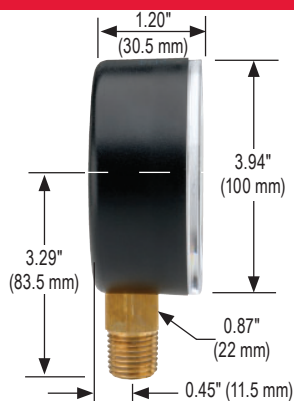
*** Other scales available on request

EXAMPLE

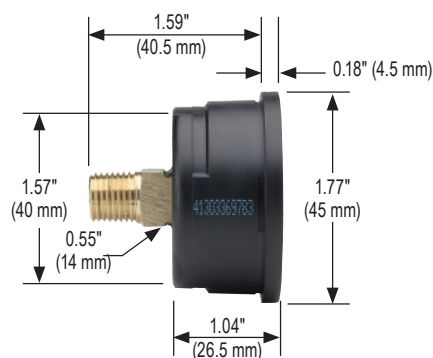


Dimensions

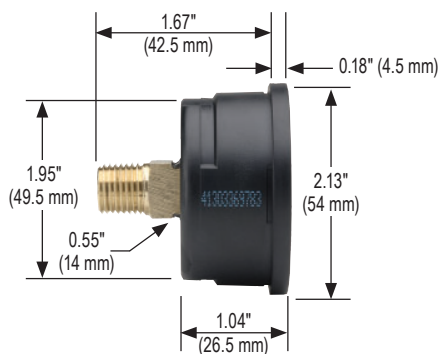
40-100



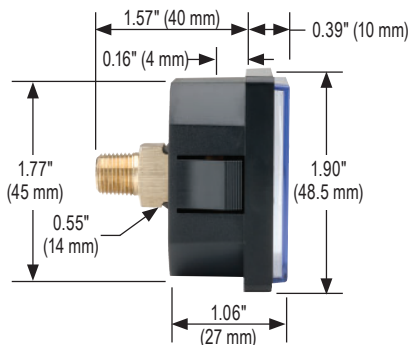
15-110



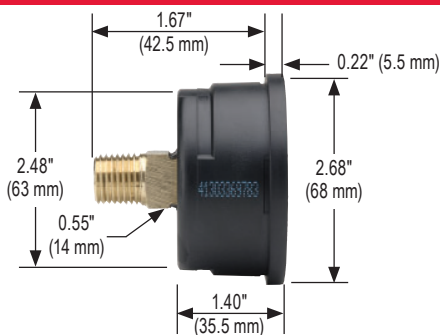
20-110



20-148

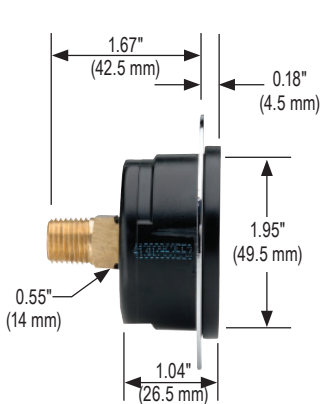
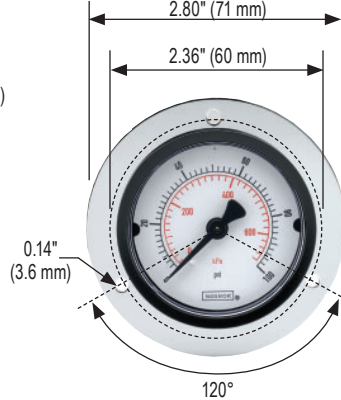
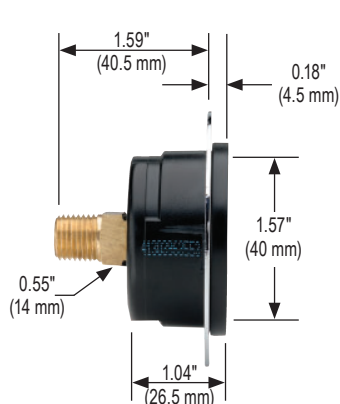
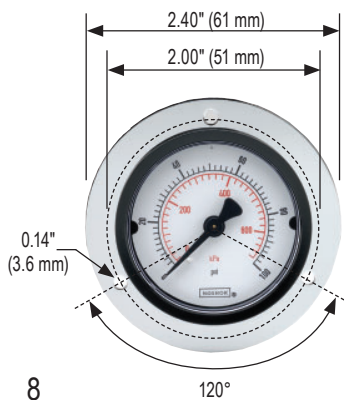


25-110

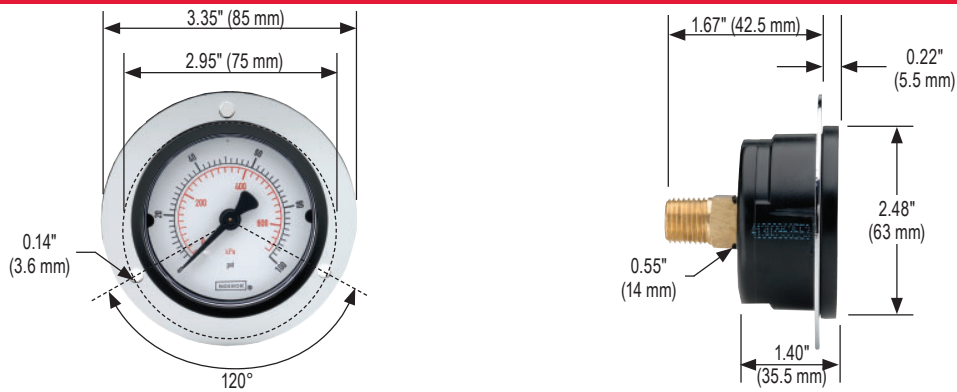


15-110 Front Flange

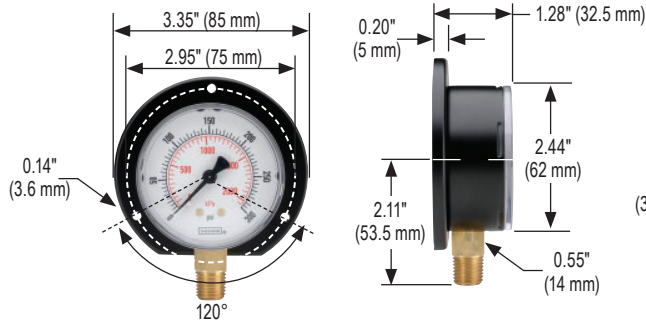
20-110 Front Flange



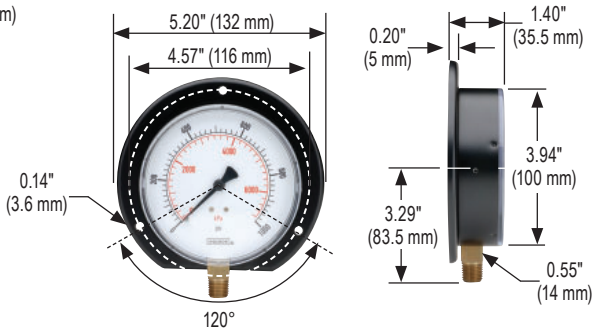
25-110 Front Flange



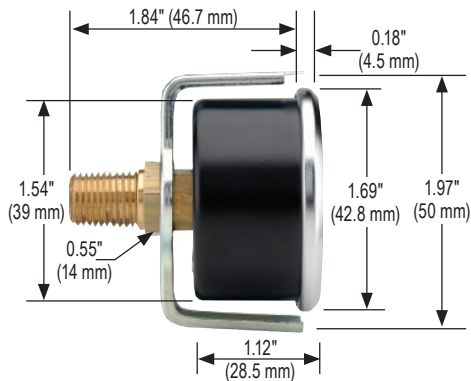
25-100 Rear Flange



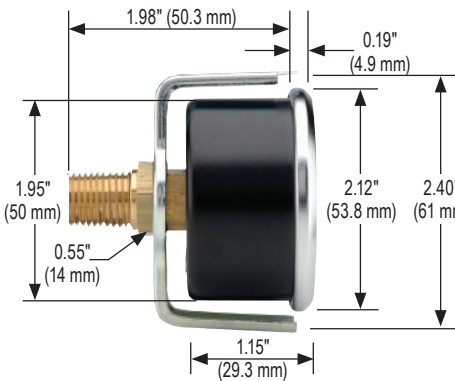
40-100 Rear Flange



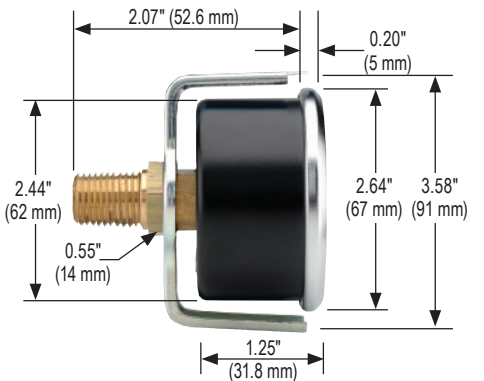
15-120 Chrome Bezel With U-Clamp



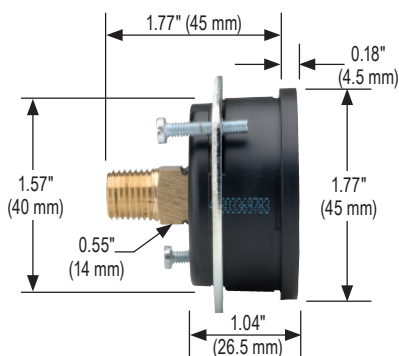
20-120 Chrome Bezel With U-Clamp



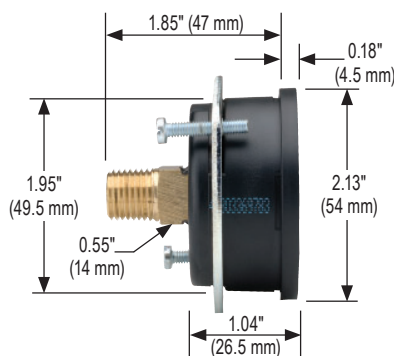
25-120 Chrome Bezel With U-Clamp



15-110 Panel Mount Clamp



20-110 Panel Mount Clamp



25-110 Panel Mount Clamp

