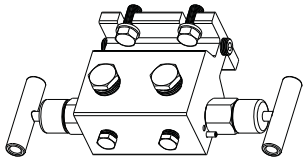
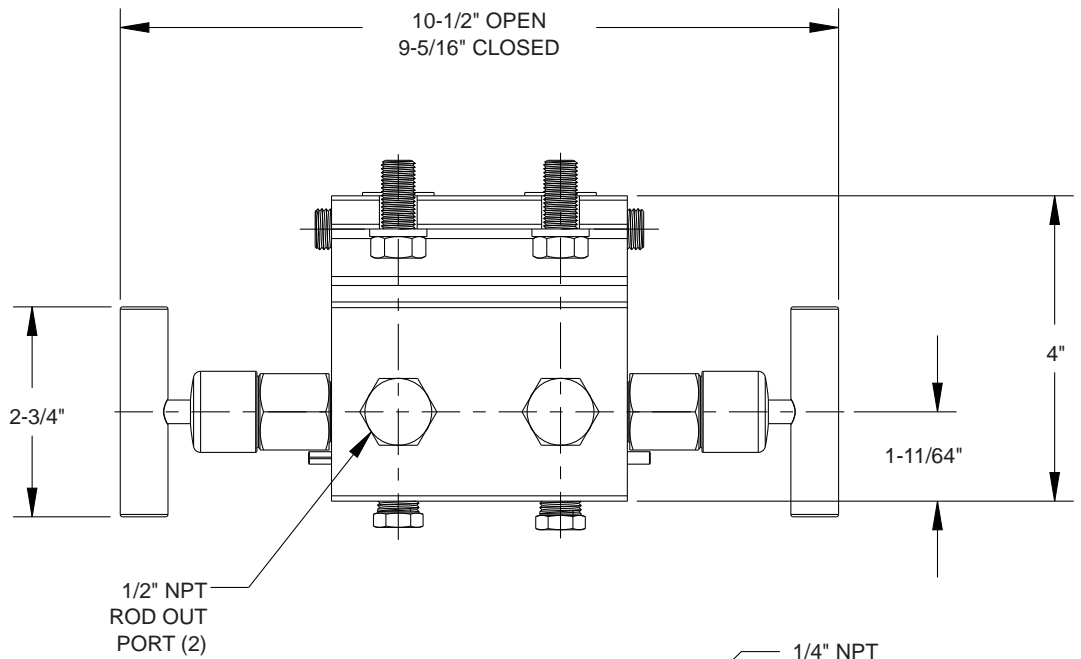


# Dimensions

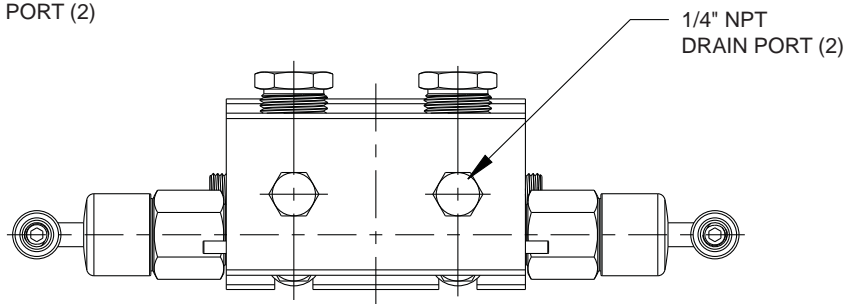
## Flange-Flange



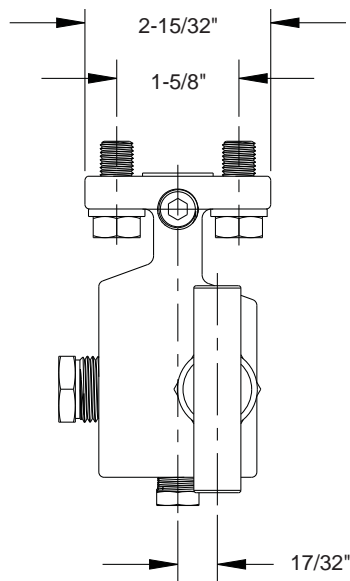
Top View

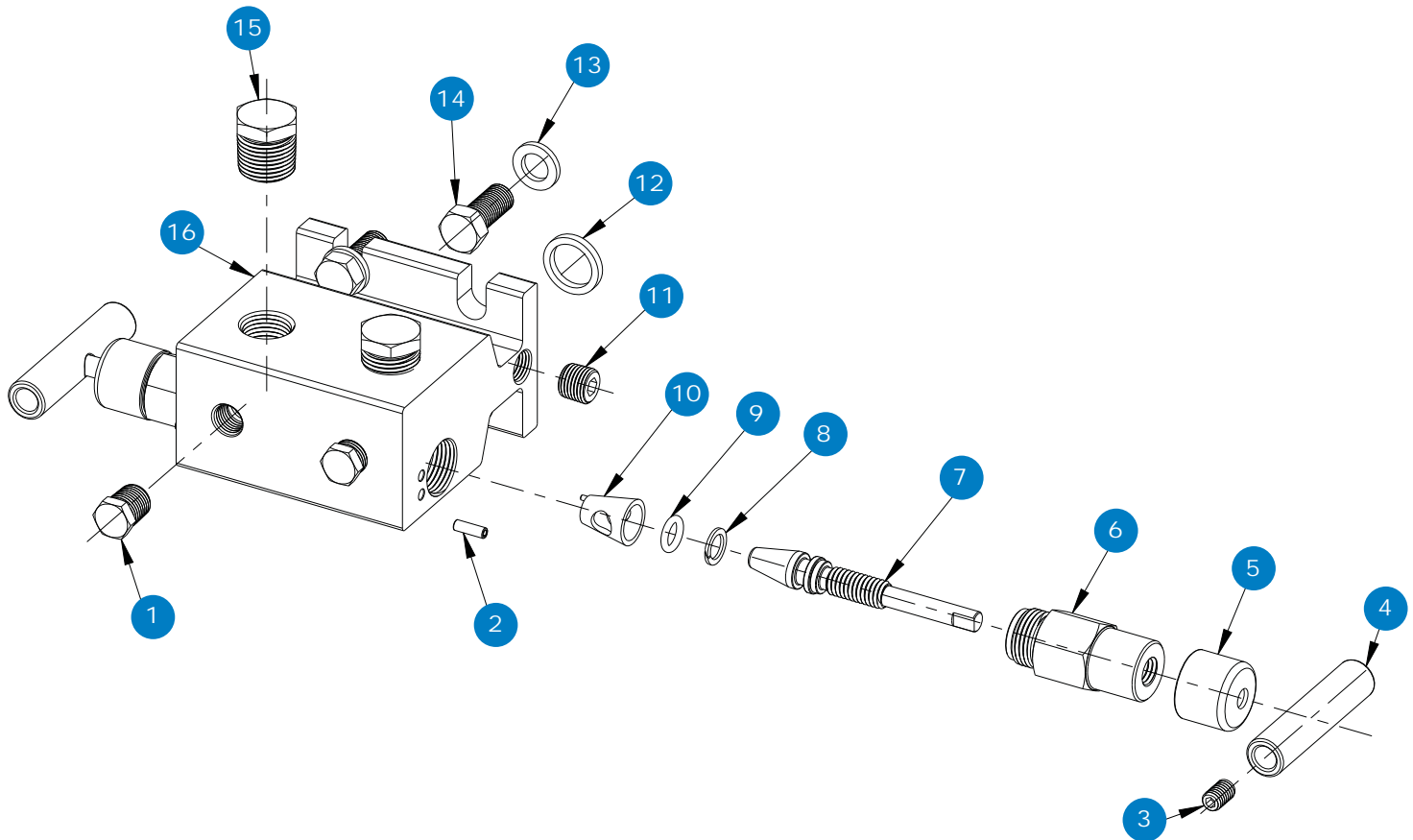


Front View



Side View





- |                      |                |
|----------------------|----------------|
| 1 Plug               | 11 Plug        |
| 2 Slotted spring pin | 12 Gasket ring |
| 3 Set screw          | 13 Flat washer |
| 4 Valve "T" handle   | 14 Head bolt   |
| 5 Blue dust cap      | 15 Plug        |
| 6 Valve bonnet       | 16 Valve body  |
| 7 Non-rotating stem  |                |
| 8 PTFE back-up ring  |                |
| 9 FKM o-ring         |                |
| 10 Delrin® seat      |                |