

# High Pressure Fixed Range



## PT41 SERIES

- Gauge ranges from 23,000 psig to 145,000 psig
- Current and voltage outputs available
- Elgiloy and 13-8PH Stainless Steel wetted parts
- CE compliant to suppress RFI, EMI and ESD
- RoHS compliant

### APPLICATIONS

- Laboratory & test equipment
- Power generation
- Hydrostatic testing
- High pressure cleaning
- Waterjet cutting

### SPECIFICATIONS

<b>Output signals</b>	4 mA to 20 mA, 2-wire; 0 Vdc to 5 Vdc, 0 Vdc to 10 Vdc, 3-wire
<b>Pressure ranges</b>	Gauge ranges from 23,000 psi through 145,000 psi
<b>Accuracy*</b>	±0.50% of span, optional ±0.25% of span, non-linearity best fit straight line per IEC 61298-2 at reference conditions
<b>Adjustment</b>	± 10% full scale for zero and span
<b>Response time</b>	< 1 ms (between 10% and 90% full scale)
<b>Temperature ranges*</b>	Compensated: 32 °F to 176 °F (0 °C to 80 °C) Media: 32 °F to 176 °F (0 °C to 80 °C) Ambient: -4 °F to 176 °F (-20 °C to 80 °C) Storage: -40 °F to 185 °F (-40 °C to 85 °C)
<b>Power requirement*</b>	10 Vdc to 30 Vdc: 4 mA to 20 mA, 2-wire, 0 Vdc to 5 Vdc, 3-wire 14 Vdc to 30 Vdc: 0 Vdc to 10 Vdc, 3-wire
<b>Proof &amp; burst pressure</b>	See user manual
<b>Measuring element</b>	Elgiloy and 13-8PH Stainless Steel
<b>Process connection</b>	13-8PH Stainless Steel
<b>Housing material</b>	316 Stainless Steel
<b>Environmental rating</b>	IP65: DIN EN 175301-803 Form C IP67: 4-pin Bayonet, 6-pin Bayonet, 1/2" NPT conduit, M12 x 1 (4-pin), Integral cable
<b>Electromagnetic rating</b>	CE compliant to EMC norm EN 61326:2014/A1:1998 RFI, EMI and ESD protection
<b>Electrical protection</b>	Reverse polarity, overvoltage and short circuit protection
<b>Shock</b>	100 g's according to IEC 60068-2-27
<b>Vibration</b>	15 g's according to IEC 60068-2-6
<b>Weight</b>	Approximately 7.5 oz.

\* See user manual for detailed specifications

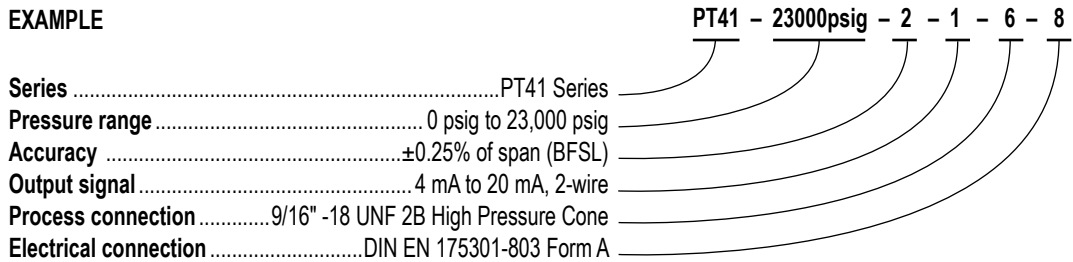
ORDERING INFORMATION						
SERIES	PT41					
PRESSURE RANGES	<b>23000psig</b>	0 psig to 23,000 psig	<b>58000psig</b>	0 psig to 58,000 psig	<b>100000psig</b>	0 psig to 100,000 psig
	<b>30000psig</b>	0 psig to 30,000 psig	<b>72000psig</b>	0 psig to 72,000 psig	<b>115000psig</b>	0 psig to 115,000 psig**
	<b>36000psig</b>	0 psig to 36,000 psig	<b>87000psig</b>	0 psig to 87,000 psig	<b>145000psig</b>	0 psig to 145,000 psig**
		psig = gauge pressure      Other ranges available on request				
ACCURACIES	<b>1</b>	±0.50% (of span, non-linearity, BFSL per IEC 61298-2 at reference conditions)	<b>2</b>	±0.25% (of span, non-linearity, BFSL per IEC 61298-2 at reference conditions)		
OUTPUT SIGNALS	<b>1</b>	4 mA to 20 mA, 2-wire	<b>2</b>	0 Vdc to 5 Vdc, 3-wire	<b>5</b>	0 Vdc to 10 Vdc, 3-wire
PROCESS CONNECTION	<b>6</b>	9/16 -18 UNF 3B high pressure cone*	<b>51</b>	M20 x 1.5 female thread with sealing cone	Other connections available upon request	
ELECTRICAL CONNECTIONS	<b>3</b>	6-pin Bayonet		<b>18</b>	DIN EN 175301-803 Form A w/ 3 ft. cable	
	<b>8</b>	DIN EN 175301-803 Form A		<b>25</b>	M12 x 1 (4-pin)	
	<b>14</b>	DIN EN 175301-803 Form A w/ 1/2" NPT female conduit		<b>36</b>	3 ft. Integral cable	
	<b>16</b>	1/2" NPT conduit w/ 3 ft. cable				

Please consult your local NOSHOK Distributor or NOSHOK, Inc. for availability and delivery information.

\* Equivalent to F250C Parker Autoclave

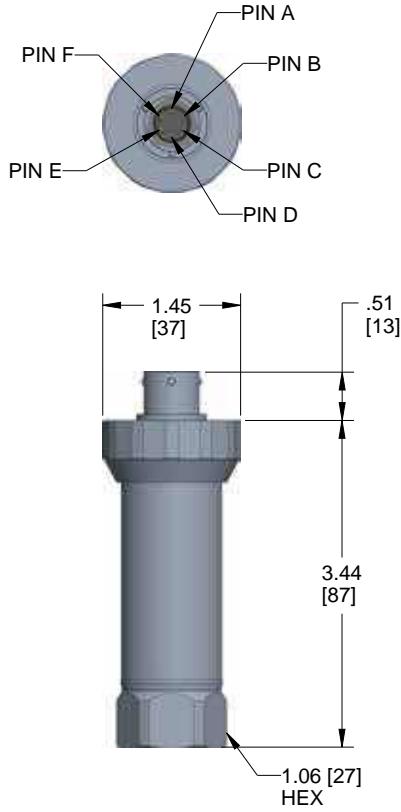
\*\* Only available with M20 x 1.5 female thread with sealing cone (-51)

**EXAMPLE**

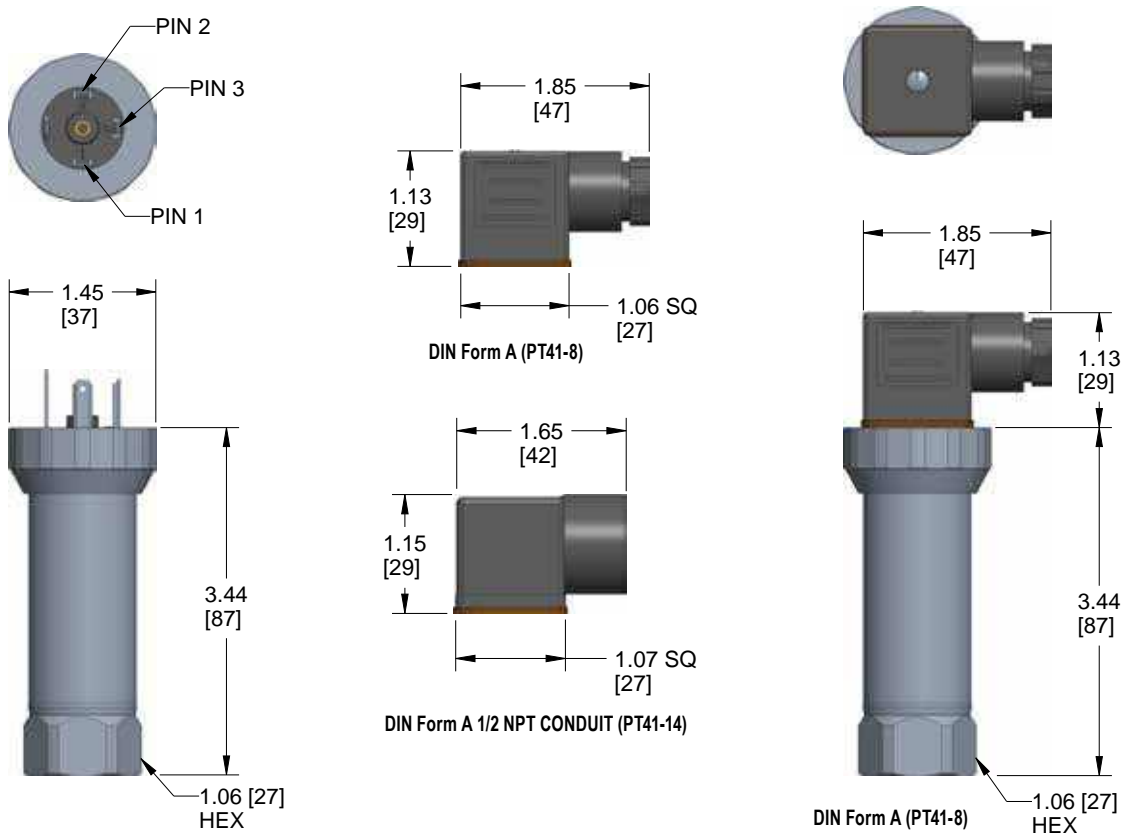


# Dimensions

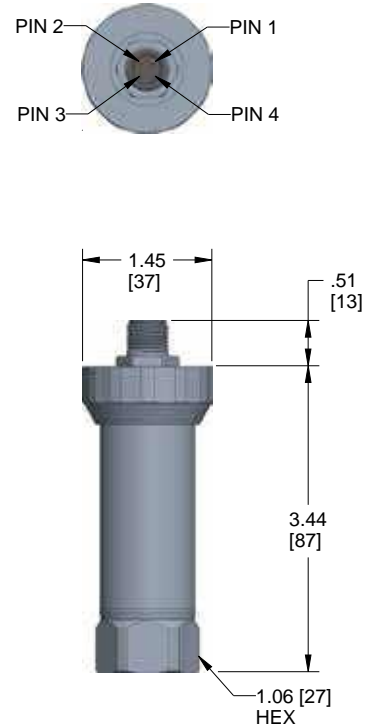
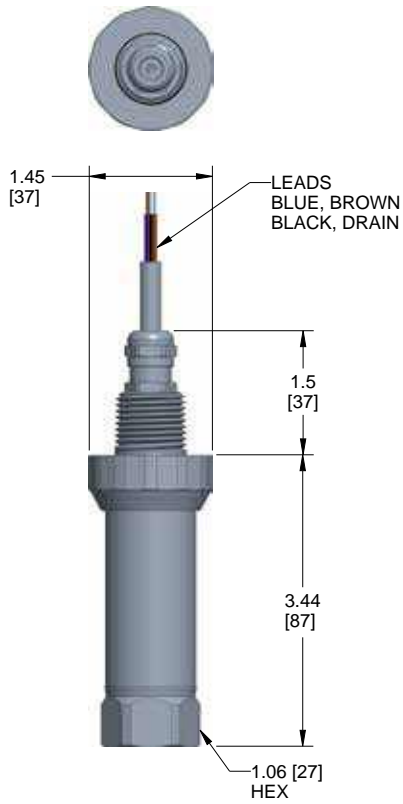
**PT41-3 (6-Pin Bayonet)**



**PT41 (DIN EN 175301-803 Form A)**



**PT41-16 (1/2" NPT conduit w/ 3 ft. Cable)      PT41-25 (M12 x 1 4-pin)**



**PT41-36 (3 ft. Integral Cable)**

