



100 SERIES

- Switch adjustment ranges from vacuum through 6,000 psi depending on model
- 100V: Standard Brass with NBR diaphragm wetted parts, 100L: Standard Brass with Polyimide diaphragm wetted parts, 100H: Standard Zinc-nickel with NBR diaphragm wetted parts
- SPST creep action switch with Silver-plated contacts
- CE compliant to suppress RFI, EMI and ESD
- RoHS compliant

APPLICATIONS

- Hydraulics & pneumatics
- Pumps & compressors
- Tank monitoring
- Leak detection
- Water management

SPECIFICATIONS

Switching parameters

| | |
|-----------------------------|--|
| Function | SPST N.O. or N.C. contact |
| Contact rating | 100 VA Max Voltage 42 Vdc |
| Repeatability | See Chart on page 107 |
| Hysteresis | <10% of setpoint |
| Contact material | Silver-plated, optional gold-plated |
| Frequency | Max. 60 cycles/min |
| Switch type | Creep action |
| Pressure ranges | Vacuum through 6,000 psig |
| Service life | >1,000,000 load cycles |
| Temperature ranges | Media -13 °F to 185 °F (-25 °C to 85 °C) Ambient -13 °F to 185 °F (-25 °C to 85 °C) Storage -13 °F to 185 °F (-25 °C to 85 °C) |
| Proof pressure | 100V: 350 psi 100L: 500 psi 100H: 9,000 psi |
| Measuring element | 100V: Brass, NBR diaphragm 100L: Brass, Polyimide diaphragm 100H: Zinc-nickel plated Steel, NBR diaphragm |
| Housing material | 100V & 100L: Brass, optional Stainless Steel 100H: Plated Steel, optional Stainless Steel |
| Environmental rating | IP00 - Exposed Terminals IP69 - Flying Leads & Deutsch Integral |
| Weight | Approximately 0.2 lb. |

| ORDERING INFORMATION | | | |
|--|---|---|--|
| SERIES | 100V 100 Vacuum Series 100L 100 Low Pressure Series | 100H 100 High Pressure Series | |
| SWITCH FUNCTIONS | 1 SPST, Normally open | 2 SPST, Normally closed | |
| PROCESS CONNECTION | 1 1/8" NPT male 2 1/4" NPT male 10 G 1/4B | 31 9/16-18 SAE Male, Non-Adjustable 33 G 1/8B 45 7/16-20 SAE Male, Non-Adjustable | |
| 100V VACUUM PRESSURE SWITCH ADJUSTMENT RANGES (Max. working pressure) | 3/25-vac -3 inHg to -25 inHg (350 psig) | | |
| 100L LOW PRESSURE SWITCH ADJUSTMENT RANGES (Max. working pressure) | 2/20 2 psig to 20 psig (350 psig) 15/100 15 psig to 100 psig (350 psig) | 50/150 50 psig to 150 psig (350 psig) | |
| 100H HIGH PRESSURE SWITCH ADJUSTMENT RANGES (Max. working pressure) | 2/30 2 psig to 30 psig (9,000 psig) 15/200 15 psig to 200 psig (9,000 psig) 125/600 125 psig to 600 psig (9,000 psig) | 300/2500 300 psig to 2,500 psig (9,000 psig) 500/3500 500 psig to 3,500 psig (9,000 psig) 3000/6000 3,000 psig to 6,000 psig (9,000 psig) | |
| ELECTRICAL CONNECTIONS† | 4 Spade Terminals (1/4 x 1/32) 66 Deutsch Integral 2-Pin (DT04-2P) 77 18" Flying Leads 78 6-32 Terminal Screws 96 Weatherpack Tower, 2-Pin Female* | 97 Weatherpack Tower, 2-Pin Male* 98 Weatherpack Shroud, 2-Pin Female* 99 Weatherpack Shroud, 2-Pin Male* 100 Deutsch 2-Pin Male (DT04-2P)* 103 Deutsch 2-Pin Female Socket (DT06-2S)* | |
| OPTIONS** | AU Gold Plated Contacts EP EPDM Diaphragm (-10/250 °F) HNBR Low Temp Nitrile Diaphragm (-40/110 °F) | SP Factory Adjusted Switch Point SS 316 SS Wetted Materials VT FKM Diaphragm (0/250 °F) | |

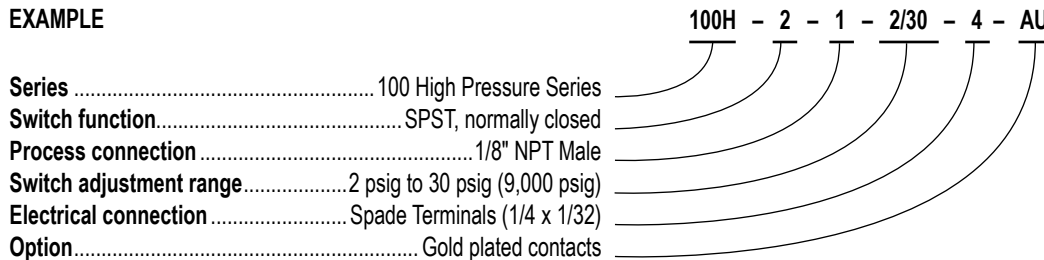
Please consult your local NOSHOK Distributor or NOSHOK, Inc. for availability and delivery information.

* Options attached to Flying Leads

** Not all options are available for all ranges, consult factory

† Other electrical connections available, consult factory

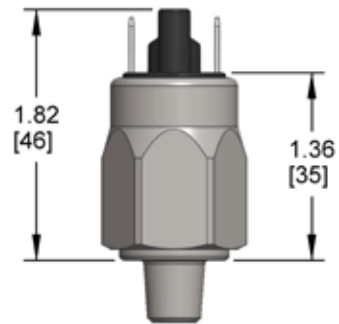
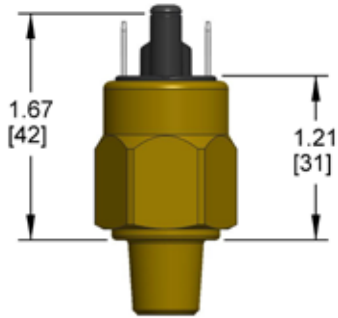
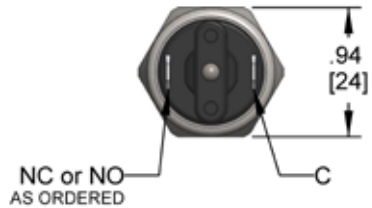
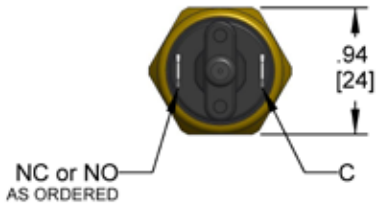
EXAMPLE



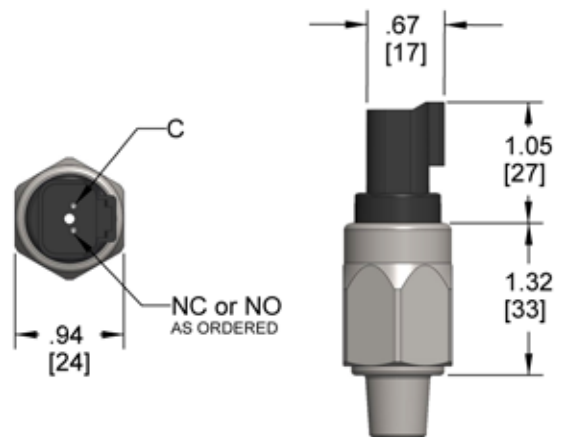
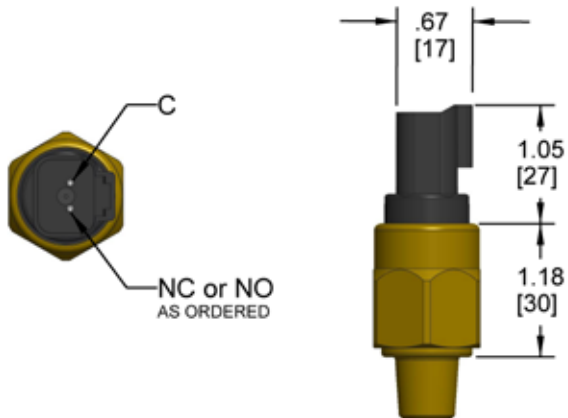
| Series | Range | Repeatability |
|--------|--|---------------------------|
| 100V | 3 - 25 inHg | 1 psi or 5% of setpoint |
| 100L | 2 - 20 15 - 100 50 - 150 | 3% of full setpoint range |
| 100H | 2 - 30 15 - 200 125 - 600 300 - 2,500 500 - 3,500 3,000 - 6,000 | 3% of full setpoint range |

Dimensions

100V & 100L Spade Terminals 100H Spade Terminals



100V & 100L Deutsch 2-Pin 100H Deutsch 2-Pin



100V & 100L 18" Flying Leads **100H 18" Flying Leads**

