



200 SERIES

- Switch adjustment ranges from 3 psig to 30 psig through 435 psig to 4,640 psig depending on model
- Standard Zinc-nickel with NBR diaphragm wetted parts;
Membrane type - NBR diaphragm
Piston type - PTFE dynamic seal with NBR static o-ring
- SPST or SPDT snap-action switch with solid Silver contacts

APPLICATIONS

- Hydraulics & pneumatics
- Pumps & compressors
- Tank monitoring
- Leak detection
- Water management

SPECIFICATIONS

Switching parameters	
Function	SPST or SPDT
Contact rating*	5A @ 125/250 Vac 5A @ 12/24 Vdc
Repeatability	Max. ±2% of Full Scale at room temperature
Hysteresis	2 psi + 5 - 10% of set point
Contact material	Solid Silver, self-cleaning, optional gold-plated
Frequency	Max. 100 cycles/min
Switch type	Snap action
Pressure ranges	3 psig to 30 psig through 435 psig to 4,640 psig
Service life	200L: >9,000,000 load cycles 200M: >2,000,000 load cycles 200H: >1,000,000 load cycles
Temperature ranges	Media -4 °F to 176 °F (-20 °C to 80 °C) Ambient -4 °F to 176 °F (-20 °C to 80 °C) Storage -4 °F to 176 °F (-20 °C to 80 °C)
Proof pressure	870 psig to 5,800 psig depending on model See Ordering Information for details
Measuring element	Membrane type - NBR diaphragm Piston type - PTFE dynamic seal with NBR static o-ring
Housing material	Zinc-nickel plated Steel, optional Stainless Steel
Environmental rating	IP00 - Spade Terminals IP65 - DIN EN 175301-803 Form A, M12, Cable & Deutsch Integral, Field adjustable IP67 - M12, Cable & Deutsch Integral, Fixed set point
Weight	Approximately 0.2 lb.

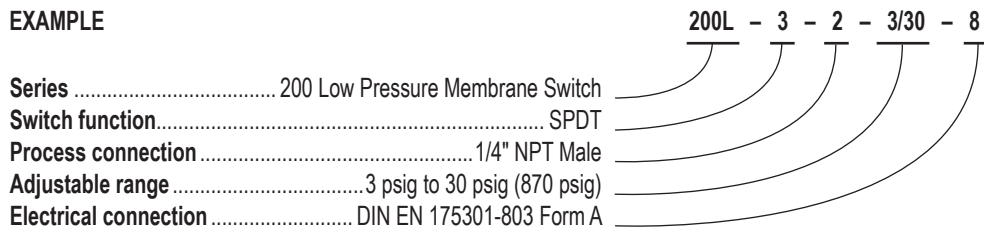
* Gold contacts may be required for less than 5 VDC and 5 milliamps

ORDERING INFORMATION			
SERIES	200L 200 Low Pressure Membrane Series 200H 200 High Pressure Piston Series	200M 200 High Pressure Membrane Series	
SWITCH FUNCTIONS	1 SPST, Normally open 2 SPST, Normally closed	3 SPDT	
PROCESS CONNECTIONS	1 1/8" NPT male 2 1/4" NPT male 33 G 1/8 Male ISO 228-1	45 7/16-20 SAE Male, Non-Adjustable 62 G 1/4 Male ISO 228-1	
200L LOW PRESSURE MEMBRANE SWITCH ADJUSTMENT RANGES (Max. working pressure)	3/30 3 psig to 30 psig (870 psig) 7/75 7 psig to 75 psig (870 psig) 7/116 7 psig to 116 psig (870 psig)	15/145 15 psig to 145 psig (870 psig) 15/235 15 psig to 235 psig (870 psig) 45/300 45 psig to 300 psig (870 psig)	
200M HIGH PRESSURE MEMBRANE SWITCH ADJUSTMENT RANGES (Max. working pressure)	15/50 15 psig to 50 psig (3,000 psig) 15/150 15 psig to 150 psig (3,000 psig) 45/300 45 psig to 300 psig (3,000 psig)		
200H HIGH PRESSURE PISTON SWITCH ADJUSTMENT RANGES (Max. working pressure)	145/435 145 psig to 435 psig (5,800 psig) 145/1160 145 psig to 1,160 psig (5,800 psig) 145/1740 145 psig to 1,740 psig (5,800 psig)	290/2900 290 psig to 2,900 psig (5,800 psig) 290/3625 290 psig to 3,625 psig (5,800 psig) 435/4640 435 psig to 4,640 psig (5,800 psig)	
ELECTRICAL CONNECTIONS†	4 Spade Terminals (1/4 x 1/32) 8 DIN EN 175301-803 Form A 25 M12 x 1 4-pin 36 18" Integral Cable 46 Deutsch Integral 3-Pin (DT04-3P) 66 Deutsch Integral 2-Pin (DT04-2P) ** 96 Weatherpack Tower, 2-Pin Female**, ** 97 Weatherpack Tower, 2-Pin Male**, ** 98 Weatherpack Shroud, 2-Pin Female**, ** 99 Weatherpack Shroud, 2-Pin Male**, **	100 Deutsch 2-Pin Male (DT04-2P)*, ** 101 Deutsch 3-Pin Male (DT04-3P)* 103 Deutsch 2-Pin Female Socket (DT06-2S)*, ** 104 Deutsch 3-Pin Female Socket (DT06-3S)* 110 Weatherpack Tower, 3-Pin Female* 111 Weatherpack Tower, 3-Pin Male* 112 Weatherpack Shroud, 3-Pin Female* 113 Weatherpack Shroud, 3-Pin Male*	
OPTIONS***	AU Gold Plated Contacts EP EPDM Diaphragm (-40/212 °F) HNBR Low Temp Nitrile Diaphragm (-22/176 °F) FVMQ Fluorosilicone Diaphragm (-40/212 °F)	SP Factory Adjusted Switch Point SS Stainless Steel Wetted Materials VT FKM Diaphragm (32/212 °F)	

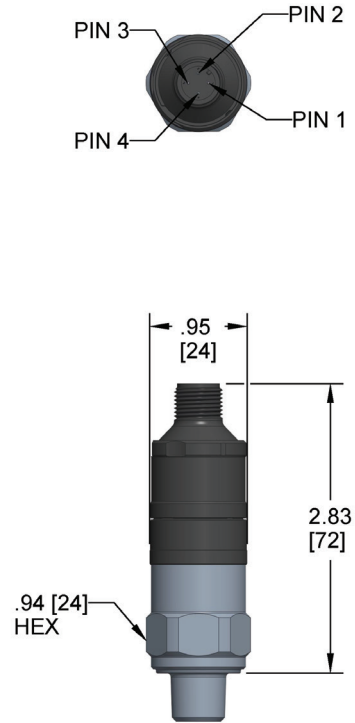
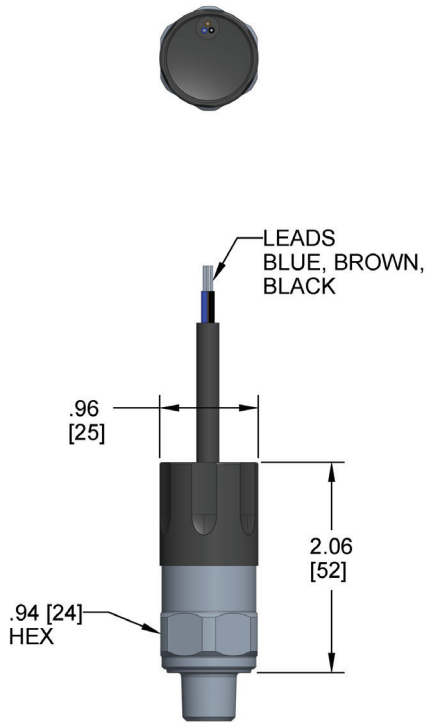
Please consult your local NOSHOK Distributor or NOSHOK, Inc. for availability and delivery information.

* Options attached to Integral Cable
 ** For SPST only
 *** Not all options are available for all ranges, consult factory
 † Other electrical connections available, consult factory

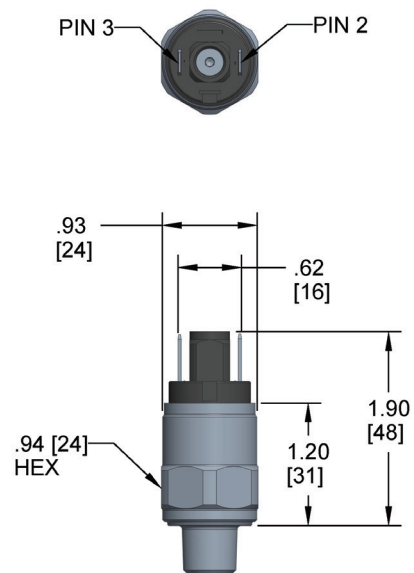
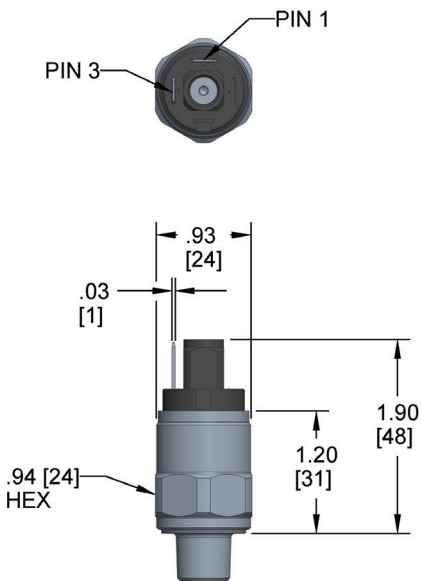
EXAMPLE



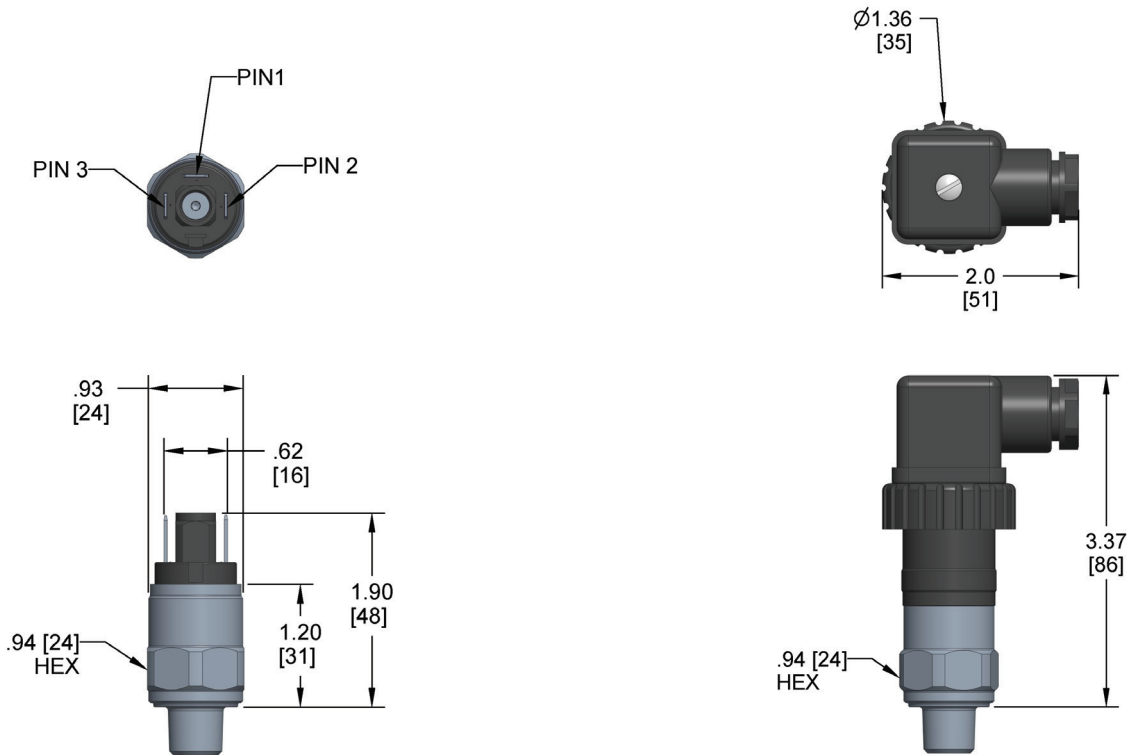
Integral Cable **M12 x 1 (4-Pin)**



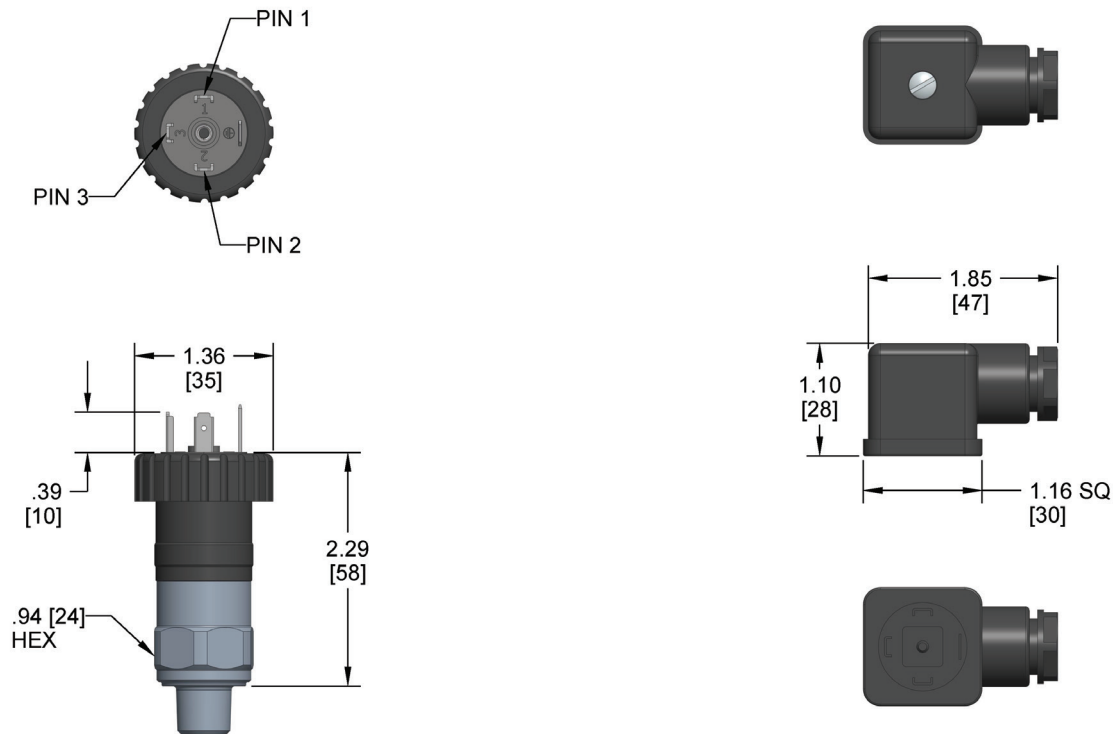
Spade Terminals (SPST, Normally Closed) **Spade Terminals (SPST, Normally Open)**



Spade Terminals (3-Pin) DIN EN 175301-803 Form A (With Socket)



DIN EN 175301-803 Form A (No Socket) DIN EN 175301-803 Form A



Deutsch Integral (3-Pin - DT04-3P) Deutsch Integral (2-Pin - DT04-2P)

