



800 SERIES

- Compound and standard ranges from 0 psig to 10 psig through 0 psig to 7,500 psig
- 316L Stainless steel wetted parts
- Current and voltage outputs available
- 7 different output configurations available
- Display and electrical connection can be rotated independently
- CE compliant to suppress RFI, EMI and ESD
- RoHS compliant

APPLICATIONS

- Hydraulics & pneumatics
- Power generation
- Pumps & compressors
- Stamping & forming presses
- Water & wastewater

SPECIFICATIONS

Pressure ranges	Compound and standard ranges from 0 psig to 10 psig through 0 psig to 7,500 psig
Switching parameters	Individually adjustable via external control keys
Number	1 or 2 (PNP or NPN)
Function	N.O., N.C., window, hysteresis (freely adjustable)
Contact rating	250 mA max.
Response time	≤5 ms
Accuracy	≤ 0.5 % of span
Switch point	.25 to 100% of full scale
Hysteresis	Fully adjustable
Transmitter parameters	
Output signal	4 mA to 20 mA or 0 Vdc to 10 Vdc; programmable and freely adjustable
Accuracy	±0.5% of span including non-linearity, hysteresis, zero offset and end value deviation (corresponds to measured error per IEC 61298-2)
Non-repeatability	< 0.1% of span (IEC 61298-2)
Adjustment	Freely scalable within the range of 5:1
Service life	100,000,000 load cycles
Temperature ranges	Compensated 32 °F to 176 °F (0 °C to 80 °C) Media -4 °F to 185 °F (-20 °C to 185 °C) Ambient -4 °F to 176 °F (-20 °C to 80 °C) Storage -4 °F to 158 °F (-20 °C to 70 °C)
Display	14 segment-LED, red 4-digit, height 0.35"
Power requirement*	15 - 35 Vdc
Current consumption	Max. 45 mA for versions without 4-20 mA output signal, Max. 70 mA for versions with 4-20 mA output signal, Total consumption max. 600 mA including switching current
Proof pressure	2 times full scale
Measuring element	<150 psi: 316L Stainless steel ≥150 psi: 316L, PH grade Stainless steel
Housing material	304 Stainless steel
Connection	316 stainless steel
Environmental rating	IP65 and IP67 per IEC 60529
Electromagnetic rating	CE compliant to EMC norm EN 61326:1997/A1:1998 RFI, EMI and ESD protection
Electrical protection	Protected against reverse polarity, over-voltage and short circuit
Shock	> 50 g's according to IEC 60068-2-27
Vibration	> 20 g's according to IEC 60068-2-6
Weight	Approx 0.49 lb.

* Unregulated

ORDERING INFORMATION																														
SERIES	800 304 Stainless steel housing																													
SWITCH FUNCTIONS	1 2 N.O. or N.C. (PNP or NPN)	2 1 N.O. or N.C. (PNP or NPN) with 4 mA to 20 mA 3-wire analog output	3 1 N.O. or N.C. (PNP or NPN) with 0 Vdc to 10 Vdc 3-wire output	4 2 N.O. or N.C. (PNP or NPN) with 4 mA to 20 mA analog output*	5 2 N.O. or N.C. switch (PNP/NPN) with 0 Vdc to 10 Vdc 3-wire output*	6 1 N.O. or N.C. switch (PNP/NPN) with 4 mA to 20 mA/0 Vdc to 10 Vdc 3-wire output 2**	7 2 N.O. or N.C. switch (PNP/NPN) with 4 mA to 20 mA/0 Vdc to 10 Vdc 3-wire output* **																							
PROCESS CONNECTIONS	2 1/4" NPT male	8 1/2" NPT male	10 G 1/4 B male	11 G 1/2 B male	45 SAE J514 FIG B (Non-Adjustable)																									
ADJUSTABLE RANGES (Max. working pressure)	14.5vac -14.5 psig to 0 psig	14.5/15 -14.5 psig to 15 psig	14.5/30 -14.5 psig to 30 psig	14.5/50 -14.5 psig to 50 psig	14.5/100 -14.5 psig to 100 psig	14.5/160 -14.5 psig to 160 psig	14.5/200 -14.5 psig to 200 psig	14.5/300 -14.5 psig to 300 psig	10 0 psig to 10 psig	15 0 psig to 15 psig	25 0 psig to 25 psig	30 0 psig to 30 psig	50 0 psig to 50 psig	100 0 psig to 100 psig	160 0 psig to 160 psig	200 0 psig to 200 psig	300 0 psig to 300 psig	500 0 psig to 500 psig	1000 0 psig to 1,000 psig	1500 0 psig to 1,500 psig	2000 0 psig to 2,000 psig	3000 0 psig to 3,000 psig	5000 0 psig to 5,000 psig	7500 0 psig to 7,500 psig	30A 0 psia to 30 psia	50A 0 psia to 50 psia	100A 0 psia to 100 psia	160A 0 psia to 160 psia	200A 0 psia to 200 psia	300A 0 psia to 300 psia
ELECTRICAL CONNECTIONS	2 M12 x 1 (4-pin)		3 M12 x 1 (5-pin), 2 switch and analog output																											
OPTIONS	ST8 Threaded Orifice																													

Please consult your local NOSHOK Distributor or NOSHOK, Inc. for availability and delivery information.

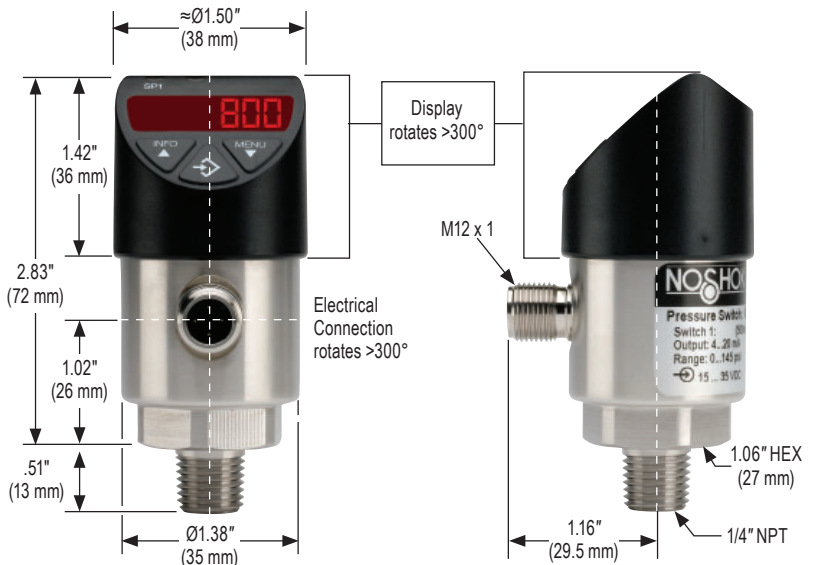
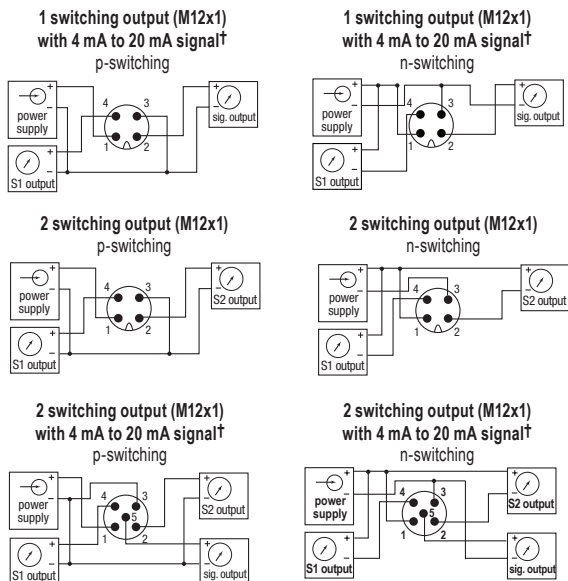
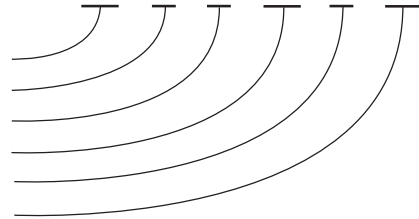
* Available only with a M12 x 1 (5-pin) connector

** Can switch between 4 mA to 20 mA / 0 Vdc to 10 Vdc

EXAMPLE

Series 800 Series
 Switch function 2 N.O. or N.C. (PNP or NPN)
 Process connection 1/4" NPT Male
 Adjustable range 0 psig to 160 psig
 Electrical connection M12 x 1 (4-pin)
 Option Threaded Orifice

800 - 1 - 2 - 160 - 2 - ST8



† Also applies to 0 Vdc to 10 Vdc output