

# Radar Level Transmitter



## LTI20 SERIES

- Continuous level measurement in containers and tanks
- Suitable for liquid, highly viscous and solid media
- Compact design for easy integration
- Can be installed outside a container (plastic)
- Suitable for industrial applications and mobile working machines

### APPLICATIONS

- General Industrial
- Mobile Equipment
- Agriculture Equipment
- Water Treatment
- Pumping Stations
- Injection Molding Media

### SPECIFICATIONS

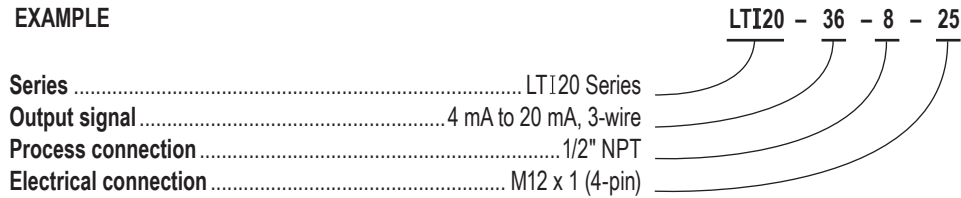
<b>Output signals</b>	4 mA to 20 mA, 3-wire 0 Vdc to 5 Vdc, 3-wire	
<b>Media dielectric constant</b>	≥ 2	
<b>Measurement frequency</b>	FMCW (60 GHz technology); frequency band 57.4 ... 61.4 GHz	
<b>Min measuring distance</b>	4 in	
<b>Max measuring distance</b>	300 in [25 ft] (additional distances available, consult factory)	
<b>Beam angle</b>	±6°	
<b>Measuring frequency</b>	> 1 Hz	
<b>Settling time</b>	1 s Per IEC 62828-1	
<b>Switch-on time</b>	<3 s	
<b>Accuracy parameters</b>	±0.2 inches Per IEC 62828-4	
<b>Non-repeatability</b>	≤ 0.079 in	
<b>Response time</b>	4s	
<b>Temperature ranges</b>	Media: Standard	-40 °F to 212 °F (-40 °C to 100 °C)
	Media: High Temp	-40 °F to 302 °F (-40 °C to 150 °C)
	Ambient:	-40 °F to 212 °F (-40 °C to 100 °C)
	Storage:	-40 °F to 158 °F (-40 °C to 70 °C)
<b>Power requirement</b>	8 Vdc to 36 Vdc	
<b>Measuring element</b>	PEEK (Lens) FKM (O-Ring)	
<b>Connection</b>	316L Stainless Steel	
<b>Housing material</b>	316L Stainless Steel	
<b>M12 electrical connection</b>	Nickle-plated Brass, Nylon	
<b>Cable jacket material</b>	PVC (Others available upon request)	
<b>Environmental rating</b>	IP67	
<b>Electromagnetic rating</b>	RFI, EMI and ESD protection	
<b>Electrical protection</b>	Protected against reverse polarity, over-voltage and short circuit	
<b>Shock</b>	100g, 11 ms per IEC 60068-2-27	
<b>Vibration (Short duration)</b>	40 g's, 10 to 2,000 Hz per IEC 60068-2-6	
<b>Vibration (Long term)</b>	10 g's, 10 to 2,000 Hz per IEC 60068-2-6	
<b>Max. operating pressure</b>	362 psi (25 bar)	
<b>Weight</b>	Approximately 2.8 oz.	

**WARNING:** This product can expose you to chemicals including Lead and Nickel, which are known to the State of California to cause cancer and birth defects or other reproductive harm. For more information go to [www.P65Warnings.ca.gov](http://www.P65Warnings.ca.gov)

ORDERING INFORMATION			
SERIES	LTI20 Radar level transmitter		
OUTPUT SIGNALS	36 4 mA to 20 mA, 3-wire	2 0 Vdc to 5 Vdc, 3-wire	
PROCESS CONNECTIONS	8 1/2" NPT	86 G1/2 (DIN 3852-2-A)	
ELECTRICAL CONNECTIONS	25 M12 x 1 (4-pin)	36 6' integral cable	
OPTIONS	HT High Temp (302 °F [150 °C] Media Temp)		

Please consult your local NOSHOK Distributor or NOSHOK, Inc. for availability and delivery information

**EXAMPLE**

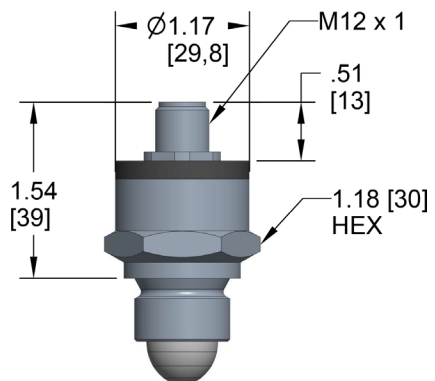
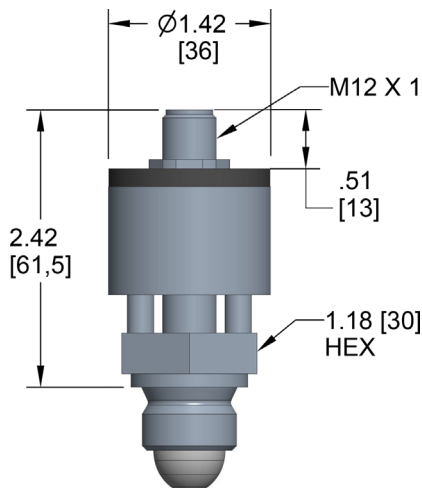


**Calibration in Empty Tank:**

1. Install the sensor and connect the output signal
2. Hold the provided magnet to the marked position "CAL" on the label
3. Output signal will change to 1 mA (0 Vdc) (Magnet has been detected by the device)
4. Continue to hold the magnet in the marked position (approx. 10 seconds)
5. Output signal will change to 2.5 mA (2.5 Vdc) (Remove magnet)
6. Calibration process will be complete after approximately 5 seconds

LTI20-25-HT (M12 x 1 4-pin)

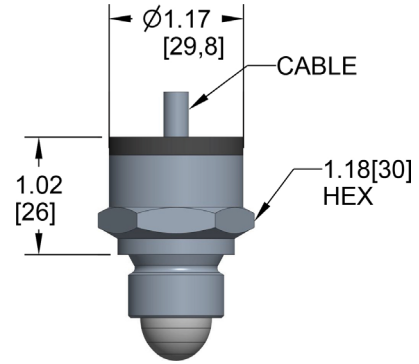
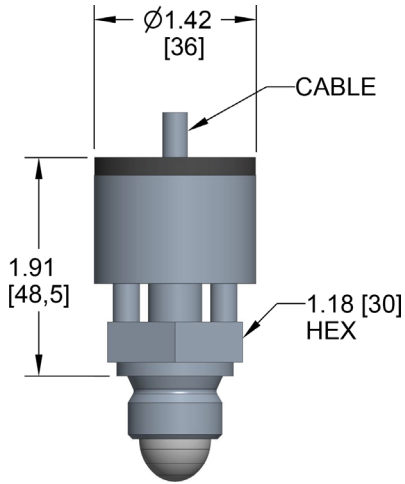
LTI20-25 (M12 x 1 4-pin)



# Dimensions

LTI20-36-HT (6' integral cable)

LTI20-36 (6' integral cable)



## LTI20 Process Connections

