

TYPE 30/30H



- Utilizes an all metallic diaphragm welded to the upper housing to allow field replacement of the lower housing while maintaining continuity of the measuring system
- Can be used for remote mounting of pressure instrument(s) with capillary
- A wide variety of instrument and process connections are available
- A flushing port is available to clean wetted areas and prevent process media build up
- Consider instrument size, pressure range, media composition, ambient and operating temperature, and maximum working pressure when selecting
- Capillaries and cooling elements are available for elevated process temperatures, see page 24
- Fill fluid must be compatible with process media; i.e. Glycerin may become volatile in conjunction with a strong oxidizing agent such as chlorine, forms of oxygen or peroxide and nitric acids

APPLICATIONS

- Water and wastewater
- Oil and gas
- Petrochemical
- Chemical processing
- Industrial automation
- Marine
- Agriculture
- Steel fabrication
- Mud pumping
- Pulp and paper
- Pneumatic

SPECIFICATIONS

SPECIFICATIONS				
Seal type	Threaded with welded diaphragm (Flanged available on request)			
Instruments	Type	Size	Minimum Pressure	Maximum Pressure
	Gauges	2-1/2" to 6"	0 psig to 30 psig	0 psig to 2,500 psig (30H - 5,000 psig)
	Transducers	-	0 psig to 30 psig	0 psig to 2,500 psig (30H - 5,000 psig)
	Switches	-	0 psig to 30 psig	0 psig to 2,500 psig (30H - 5,000 psig)
Upper housing	Type	Continuous duty		
	Connections	1/4" NPT, 1/2" NPT		
	Materials	Polyurethane enamel coated Steel, 316 Stainless Steel		
Diaphragm	Size	2.4"		
	Displacement	1.5 ml		
	Materials	316 Stainless Steel (Exotic materials available on request)		
Gaskets	Type 30	Klingsil C-440, PTFE and FKM		
	Type 30H	FEP encapsulated o-ring (5,000 psi)		
Lower housing	Connections	1/4" NPT, 1/2" NPT, 3/4" NPT, 1" NPT, 1-1/4" NPT and 1-1/2" NPT		
	Materials	Polyurethane enamel coated Steel, 316 Stainless Steel (Exotic materials available on request)		
	Flushing port	Optional 1/8" NPT, 1/4" NPT and dual ports		
Bolting	Zinc-plated Steel, optional Stainless Steel			
Operating temperature	Operating temperature is determined by the temperature/pressure configuration. See Material Temperature table.			

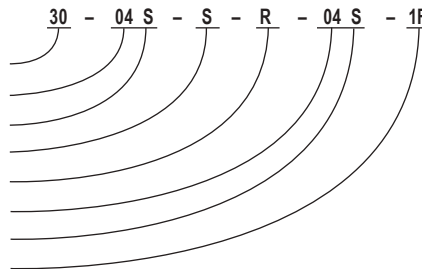
ORDERING INFORMATION				
TYPE	30 (2,500 psi)	30H (5,000 psi)		
INSTRUMENT CONNECTION SIZES	02 1/4" NPT	04 1/2" NPT		
UPPER HOUSING MATERIALS	C Carbon Steel M Monel 400	P Carpenter 20 S 316 Stainless Steel	U Titanium Grade 2	
DIAPHRAGM MATERIALS	A Tantalum H Hastelloy C-276	M Monel 400* N Inconel 600	P Carpenter 20* S 316 Stainless Steel	U Titanium Grade 4*
SEAL GASKET MATERIALS	F FEP encapsulated o-ring (5,000 psi) R Klingsil C-4401 (Rated to 1,500 psi)	T PTFE V FKM		
PROCESS CONNECTION SIZES	02 1/4" NPT 04 1/2" NPT (ASME and DIN Flanges Available Upon Request)	06 3/4" NPT 08 1" NPT	10 1-1/4" NPT 12 1-1/2" NPT	
LOWER HOUSING MATERIALS	C Carbon Steel H Hastelloy C-276	M Monel 400 N Inconel 600	P Carpenter 20 S 316 Stainless Steel	U Titanium Grade 2
OPTIONAL FLUSHING CONNECTIONS	1F 1/8" NPT	2F 1/4" NPT		
OPTIONAL FLUSH PORT PLUG	P (Flush port plug will match lower housing material.)			

Please consult your local NOSHOK Distributor or NOSHOK, Inc. for availability and delivery information.

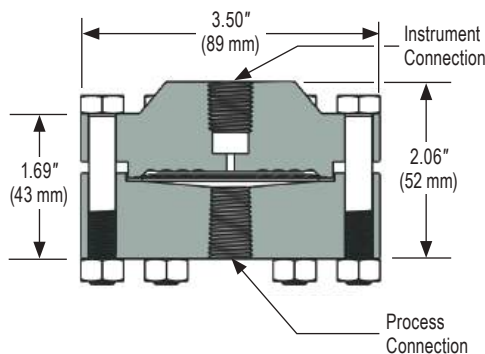
*When selecting a Monel 400, Carpenter 20 or Titanium Grade 4 Diaphragm, the upper housing must be the same material

EXAMPLE

Type 30
 Instrument connection size 1/2" NPT
 Upper housing material 316 Stainless Steel
 Diaphragm material 316 Stainless Steel
 Seal gasket material Klingsil C-4401
 Process connection size 1/2" NPT
 Lower housing material 316 Stainless Steel
 Flushing connection (optional) 1/8" NPT



Type 30 Standard Pressure



Type 30H Elevated Pressure

