

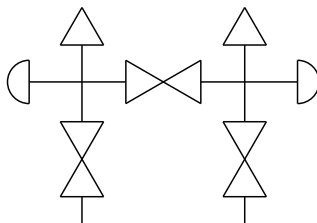
Compact Style Hard Seat

3040 SERIES



- Compact style manifold is designed for use with differential pressure transmitters incorporating two isolation valves and an equalizing valve in differential pressure measurement
- 100% helium leak tested to 1×10^{-4} ml/s for guaranteed performance and reliability
- Blow-out proof stem provides a secondary stem seal in the full open position
- FKM o-ring seal and PTFE back-up ring below the stem threads to protect from corrosion and galling; PTFE or Graphite packing optional
- All stem threads are rolled for strength and ease of operation
- One-piece bonnet with a metal-to-metal seal to the valve body below the bonnet threads
- Slotted spring pin to prevent accidental loosening
- Labeled and color coded vinyl dust caps for bonnets and stems

Flow Schematic



SPECIFICATIONS

Materials	Electropolished 316 Stainless Steel*
Connection	1/2" NPT-flange
Pressure ratings	6,000 psi @ 200 °F
Orifice size	0.125"
Flow coefficient	C_v 0.30
Stem seal & type	All 316 Stainless Steel stems with FKM o-ring and PTFE back-up ring below the threads, PTFE or Graphite packing optional
Options	Packings, regulating stem and stem tips o-ring materials and handles
Additional features	Bleed plugs installed in static test ports
Weight	Approximately 4.4 lb.

* All 316SS products meet the requirements of NACE MR0175/ISO 15156-3.

For NOSHOK Valves with Stainless Steel valve types:



WARNING: This product can expose you to chemicals including Chromium (VI) and Nickel, which are known to the State of California to cause cancer and birth defects or other reproductive harm. For more information go to www.P65Warnings.ca.gov

NOTE: All NOSHOK valve products conform to the MSS SP-99 instrument valves standards, and valves supplied with packing also conform to MSS SP-132 compression packing systems for instrument valves standard.

ORDERING INFORMATION	
SERIES	3 3-valve
SEATS	0 Hard seat
PROCESS TYPE	4 Compact style, differential pressure
CONNECTION	0 1/2" NPT standard
VALVE TYPES	MFS Flange-Female, Stainless Steel (MSS SP-99 spacing) MFS-CP Flange-Female, Stainless Steel (Coplanar™ spacing)

Please consult your local NOSHOK Distributor or NOSHOK, Inc. for availability and delivery information.

EXAMPLE

	3 0 4 0 - MFS-CP
Series.....	3-valve
Seat.....	Hard seat
Process type.....	Compact style, differential pressure
Connection.....	1/2" NPT standard
Valve type.....	Flange-female, Stainless Steel, Coplanar™ spacing

To meet all of your specific application requirements, the following **additional options** are available for these manifold valves. To order all or any of these options, simply add them to the part number as shown in the diagram below.

NOTE 1: The example shown includes ALL possible additional options. Please include ONLY the options required for your application when building your part number. (EXAMPLE: 3040-MFS-P1)

NOTE 2: When a packing option is selected, an o-ring option is NOT available.

ORDERING INFORMATION - ADDITIONAL OPTIONS			
PACKINGS	P1 PTFE	P2 Graphite	
STEM TIPS	T1 Non-rotating (316 Stainless)	T6 Ball (carbide)	T8 Ball (Monel)
	T5 Ball (440C Stainless)	T7 Ball (ceramic)	T9 Non-rotating regulating (316 Stainless)
O-RINGS*	EM1 EPDM	KZ1 FFKM (Perfluoroelastomer)	NB1 NBR

Please consult your local NOSHOK Distributor or NOSHOK, Inc. for availability and delivery information.

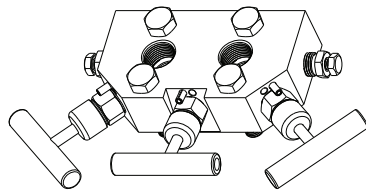
* Other o-ring materials available on request.

EXAMPLE with Additional Options

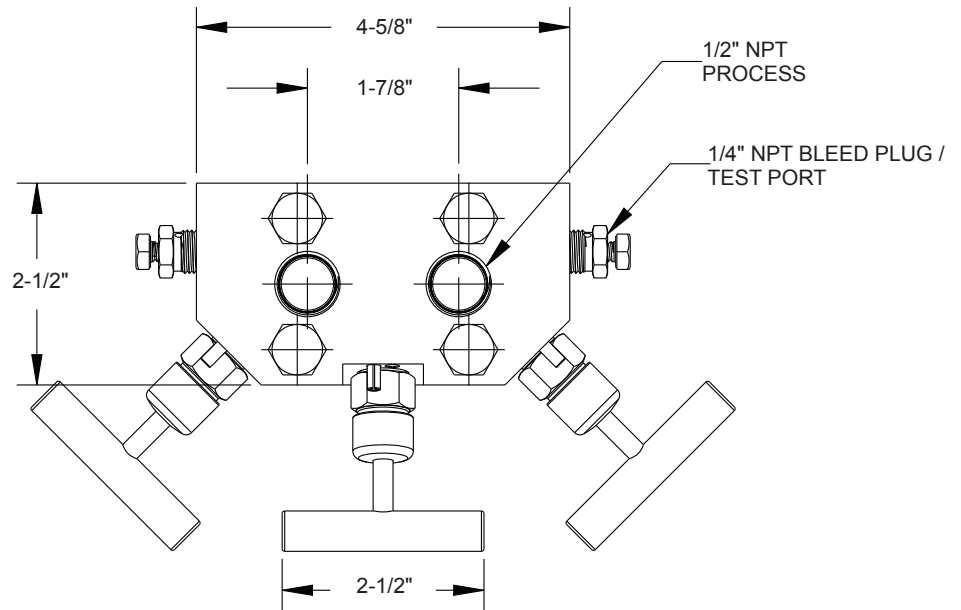
	3 0 4 0 - MFS - P1 - T1
Series.....	3-valve
Seat.....	Hard seat
Process type.....	Compact style, differential pressure
Connection.....	1/2" NPT standard
Valve type.....	Flange-female, Stainless Steel
Packing.....	PTFE
Stem tip.....	Non-rotating

Dimensions

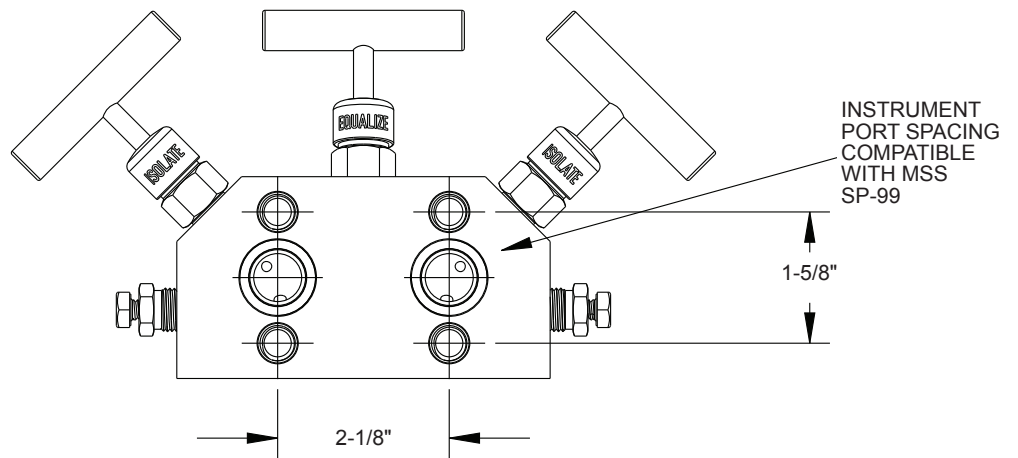
Flange-Female MSS SP-99 Spacing



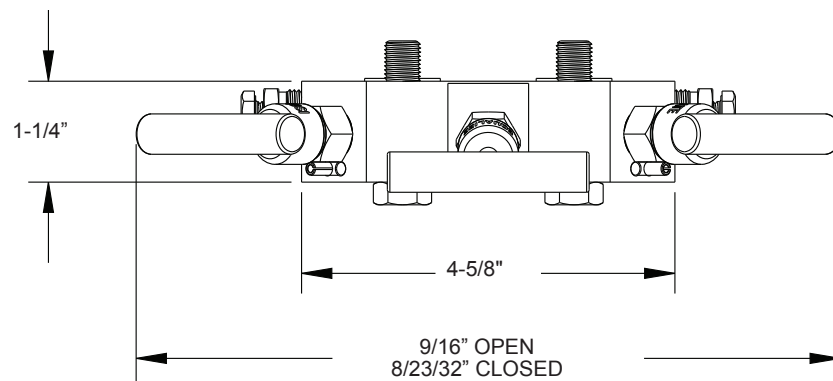
Bottom View



Top View



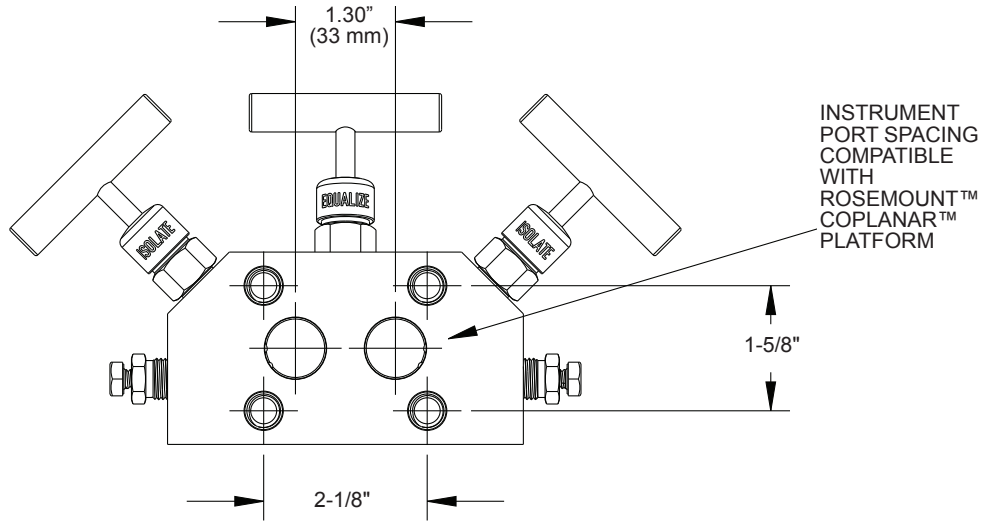
Front View



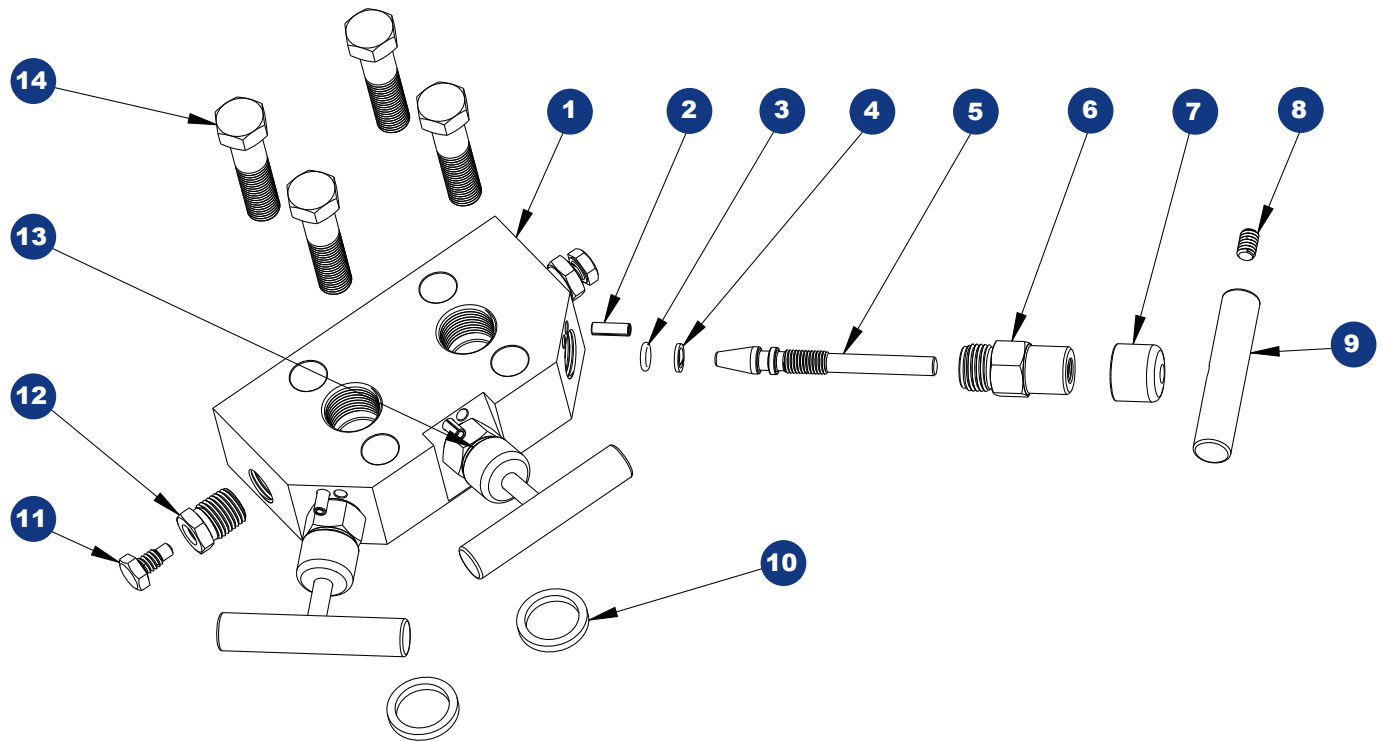
Flange-Female Coplanar™ Spacing

Note: All dimensions are the same as the SP-99 spacing except for the top view shown below.

Top View



Flange-Female



- | | |
|----------------------|--------------------|
| 1 Valve body | 8 Set screw |
| 2 Slotted spring pin | 9 Valve "T" handle |
| 3 FKM o-ring | 10 Gasket ring |
| 4 PTFE back-up ring | 11 Bleed screw |
| 5 Valve stem | 12 Bleed plug |
| 6 Valve bonnet | 13 Green dust cap |
| 7 Blue dust cap | 14 Head bolt |