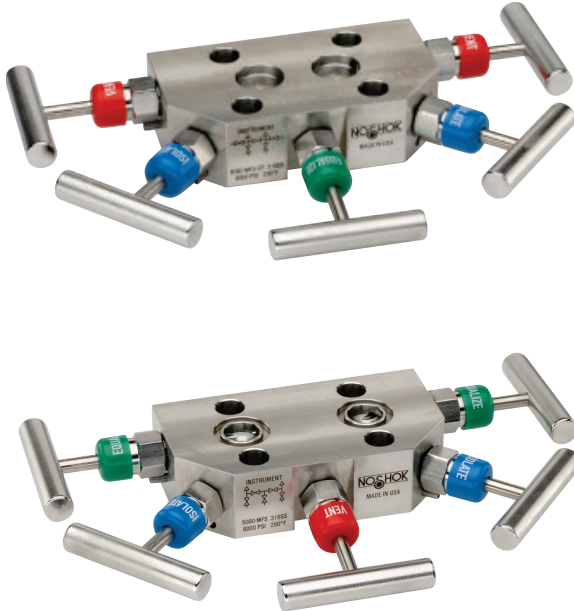


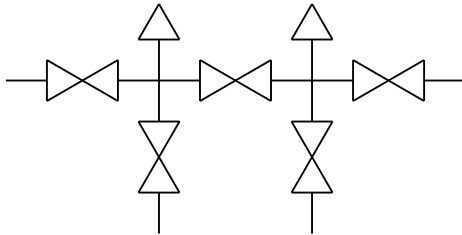
# Compact Style Hard Seat

## 5040/5090 SERIES

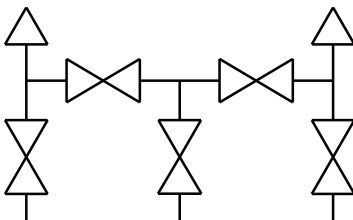


- Compact style, power pattern is designed for use with differential pressure transmitters incorporating two isolation valves, one equalizing valve and two vent valves in power pattern applications
- Compact style, natural gas flow is designed for use with differential pressure transmitters incorporating two isolation valves, two equalizing valves and a vent valve in natural gas applications
- 100% helium leak tested to  $1 \times 10^{-4}$  ml/s for performance and reliability
- Blow-out proof stem provides a secondary stem seal in the full open position
- FKM o-ring seal and PTFE back-up ring below the stem threads to protect from corrosion and galling
- All stem threads are rolled for strength and ease of operation
- One-piece bonnet with a metal-to-metal seal to the valve body below the bonnet threads
- Slotted spring pin to prevent accidental loosening
- Labeled and color coded vinyl dust caps for bonnets and stems

**Differential/Power Pattern  
Flow Schematic (5040)**



**Natural Gas  
Flow Schematic (5090)**



### SPECIFICATIONS

<b>Materials</b>	Electropolished 316 Stainless Steel*
<b>Connection</b>	1/2" NPT-flange
<b>Pressure ratings</b>	6,000 psi @ 200 °F
<b>Orifice size</b>	0.125"
<b>Flow coefficient</b>	$C_v$ 0.30
<b>Stem seal &amp; type</b>	All 316 Stainless Steel stems with FKM o-ring and PTFE back-up ring below the threads, PTFE or Graphite packing optional
<b>Options</b>	Packings, regulating stem and stem tips o-ring materials and handles
<b>Weight</b>	Approximately 4.4 lb.

\* All 316SS products meet the requirements of NACE MR0175/ISO 15156-3.

For NOSHOK Valves with Stainless Steel valve types:



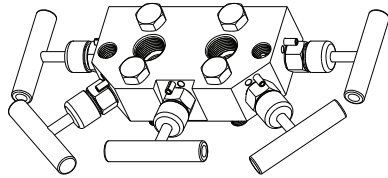
**WARNING:** This product can expose you to chemicals including Chromium (VI) and Nickel, which are known to the State of California to cause cancer and birth defects or other reproductive harm. For more information go to [www.P65Warnings.ca.gov](http://www.P65Warnings.ca.gov)

**NOTE:** All NOSHOK valve products conform to the MSS SP-99 instrument valves standards, and valves supplied with packing also conform to MSS SP-132 compression packing systems for instrument valves standard.

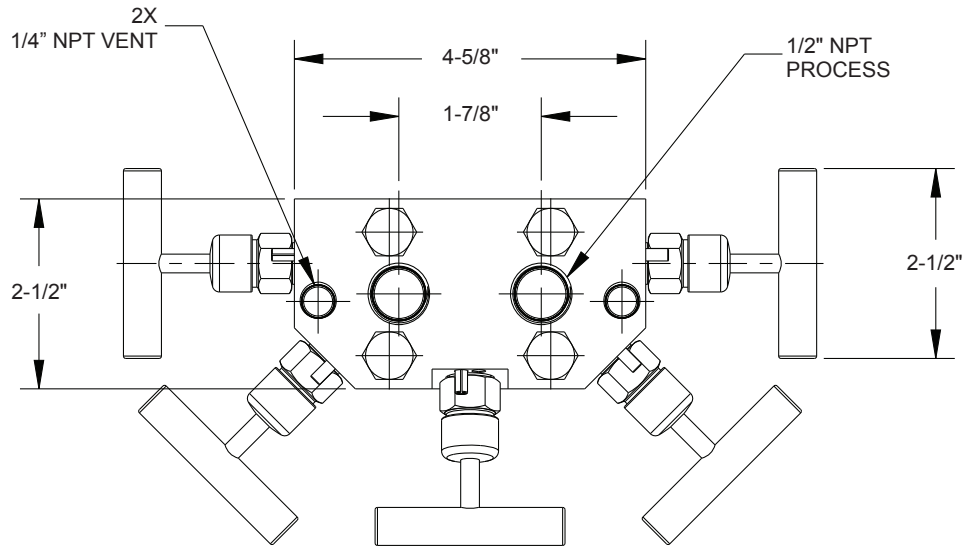


# Dimensions

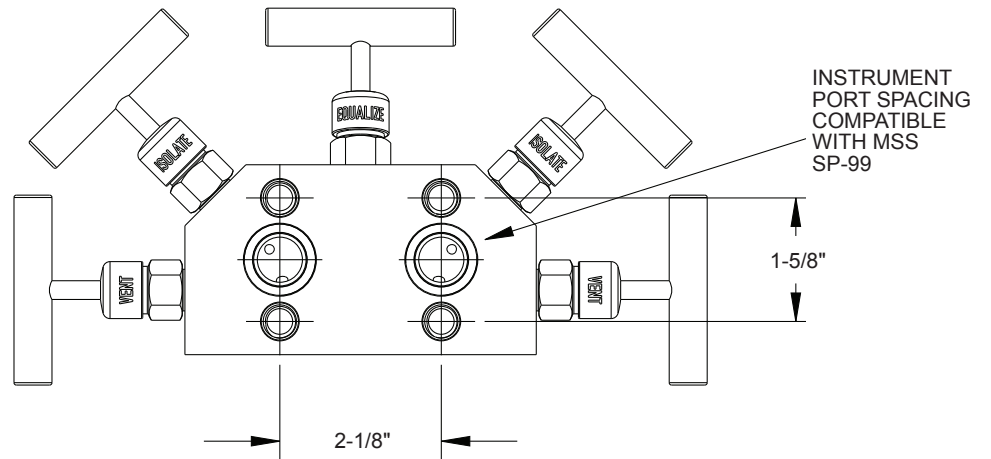
## Flange-Female Power Pattern MSS SP-99 Spacing



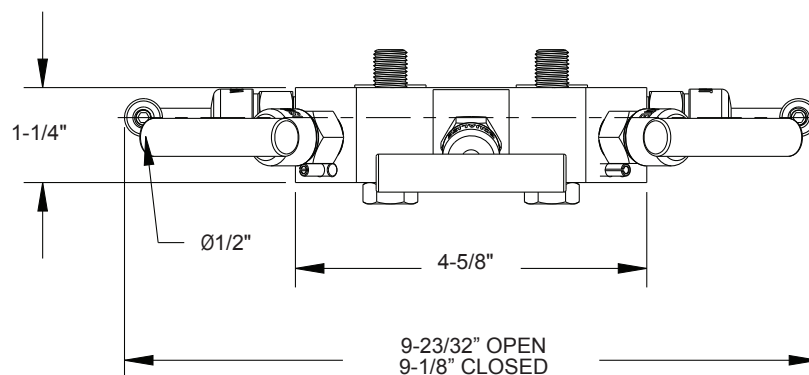
Bottom View



Top View



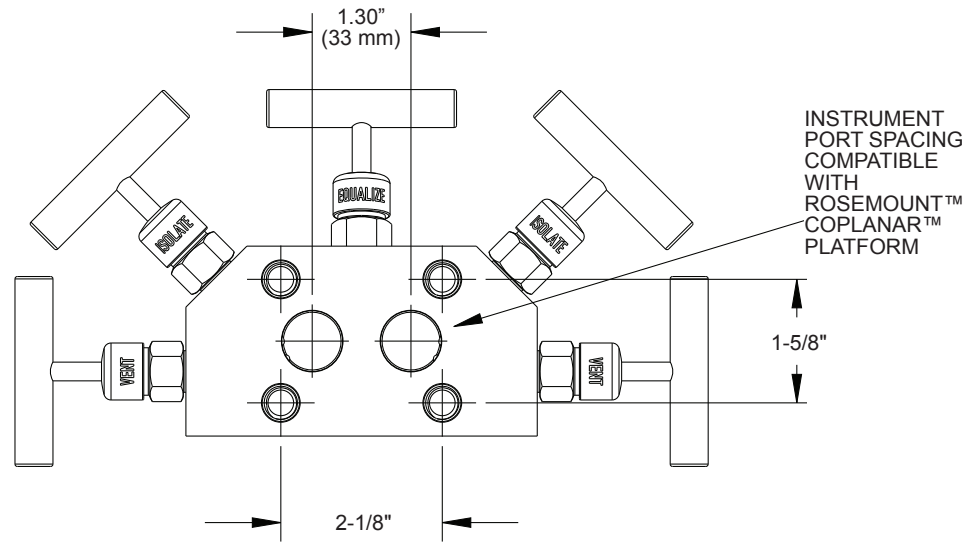
Front View



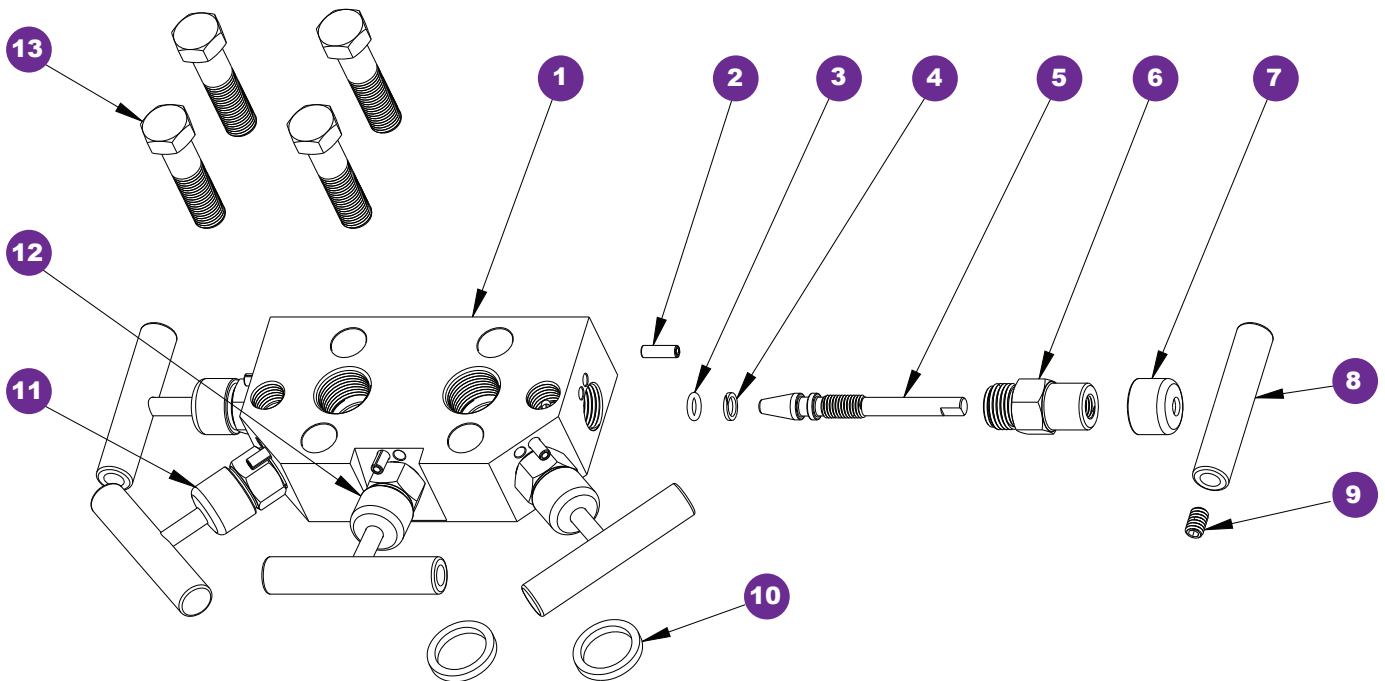
## Flange-Female Power Pattern Coplanar™ Spacing

Note: All dimensions are the same as the SP-99 spacing except for the top view shown below.

Top View



## Flange-Female Power Pattern

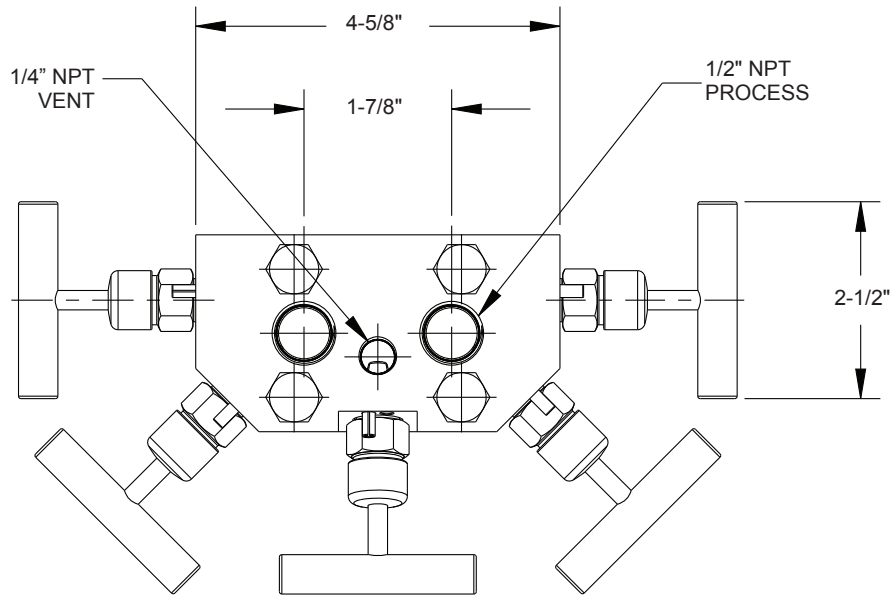


- |                      |                    |
|----------------------|--------------------|
| 1 Valve body         | 8 Valve "T" handle |
| 2 Slotted spring pin | 9 Set screw        |
| 3 FKM o-ring         | 10 Gasket ring     |
| 4 PTFE back-up ring  | 11 Blue dust cap   |
| 5 Valve stem         | 12 Green dust cap  |
| 6 Valve bonnet       | 13 Head bolt       |
| 7 Red dust cap       |                    |

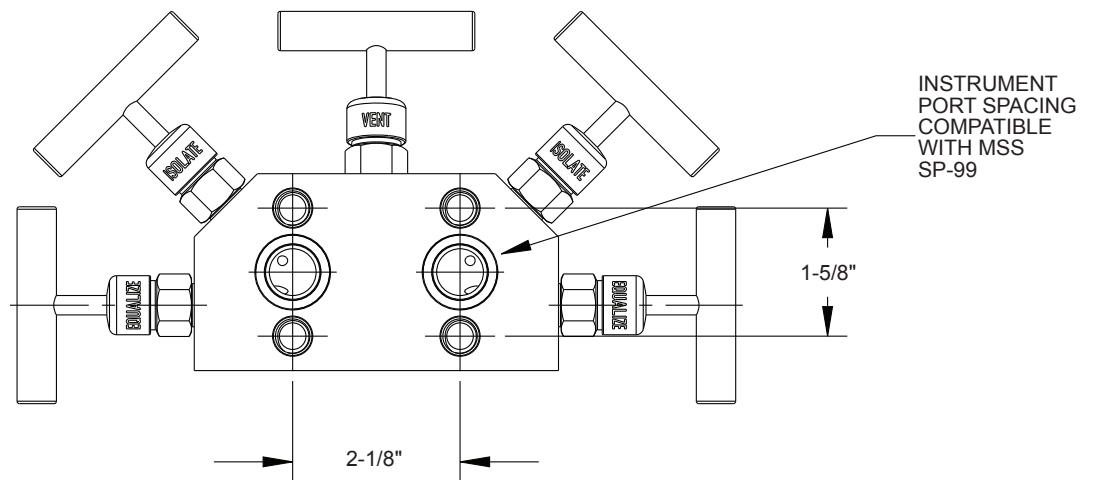
# Dimensions

## Flange-Female Natural Gas Flow MSS SP-99 Spacing

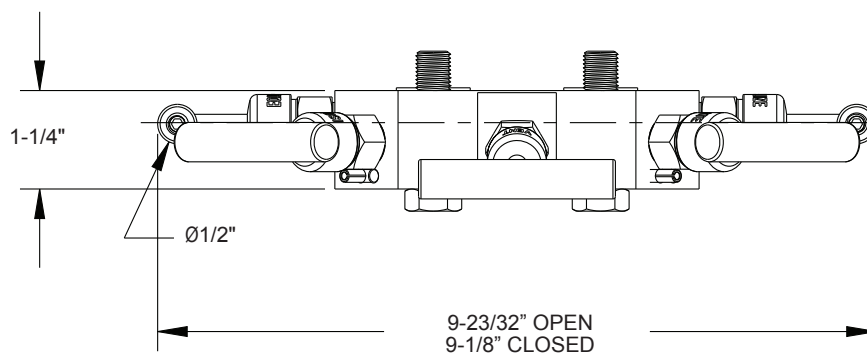
Bottom View



Top View

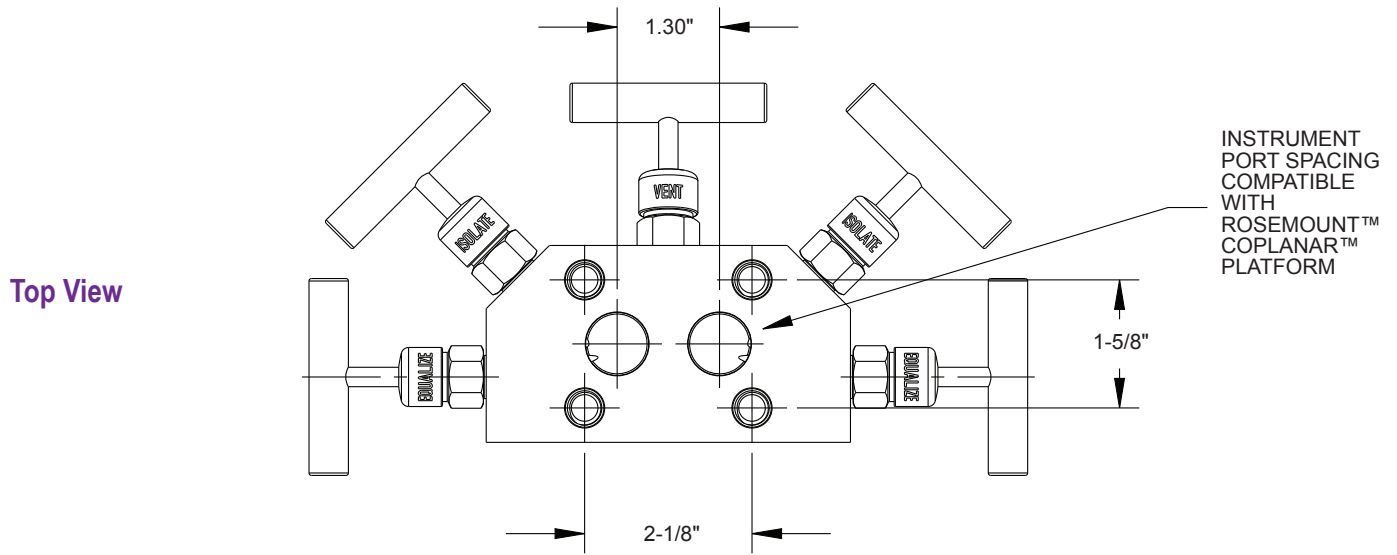


Front View

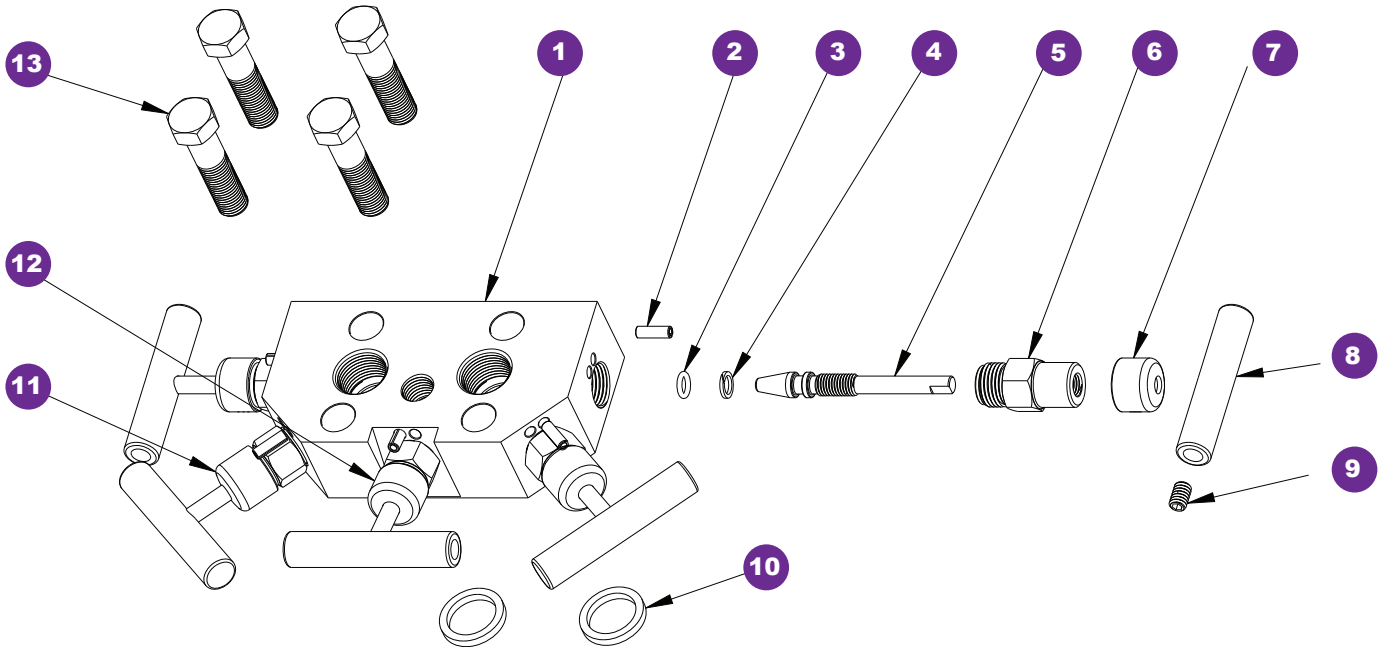


## Flange-Female Natural Gas Flow Coplanar™ Spacing

Note: All dimensions are the same as the SP-99 spacing except for the top view shown below.



## Flange-Female Natural Gas



- |                      |                    |
|----------------------|--------------------|
| 1 Valve body         | 8 Valve "T" handle |
| 2 Slotted spring pin | 9 Set screw        |
| 3 FKM o-ring         | 10 Gasket ring     |
| 4 PTFE back-up ring  | 11 Blue dust cap   |
| 5 Valve stem         | 12 Red dust cap    |
| 6 Valve bonnet       | 13 Head bolt       |
| 7 Green dust cap     |                    |